

Rokka
play™

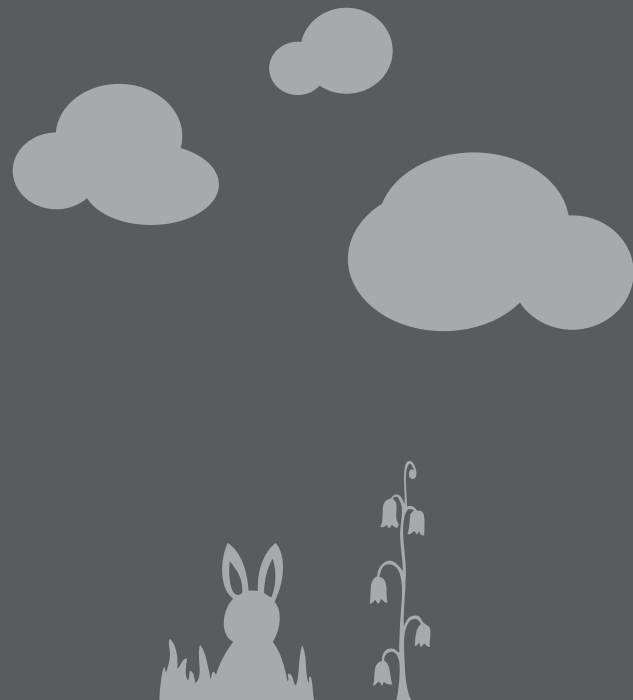
Instruction Booklet

The Rokka &
The Cornish Fishing Boat
Accessory Pack



Contents

Introduction	01
Product Information	02
Warnings - Installation & Usage	03
Warnings - Cleaning Care & Maintenance	04
Parts	06
Assembling the Rokka	08
Assembling the Cornish Fishing Boat Accessory Pack	15
Accessory Packs	20



Introduction

Congratulations on the purchase of your Rokka. We hope that your children (and all the family) will have hours of fun playing with it! We would love to hear about your children's adventures and any feedback you may have.

We pride ourselves on the versatility, durability and safety of the Rokka and it is intended to be assembled very easily. However, please read the following information carefully before assembling your Rokka and keep this guide for future reference.

If any components are missing or damaged please contact Rokka Play Ltd for a replacement before allowing your child to play on the Rokka.

This user guide is for the Rokka and Cornish Fishing Boat Accessory Pack, product number RP/ROK01/002.

Product Information

The Rokka is made from quality birch plywood and the spoons are made from sustainably sourced beech wood. The fabric accessories are made from 100% cotton, using azo free dyes.

The Rokka and its accessories have been independently tested and comply with EN 71 regulations (Safety of Toys). Rokka Play Ltd regularly checks the materials and workmanship it employs to produce its products.



Warnings – Installation & Usage

- Adult assembly required.
- The Rokka is intended for children age 1 year and above.
- Please ensure your child is supervised when playing on the Rokka at all times.
- Please ensure your child is at a safe distance when turning the Rokka over to prevent trapping or crushing.
- Do not allow children to push their legs under the seat if sitting on the foot rest when the Rokka is being used as a see-saw, to prevent trapping.
- When on its side, do not allow children to stand on Rokka sides in order to prevent tipping and falling.
- To prevent injury to your child or damage to the Rokka, do not allow children to swing on or pull on the spoons, either when attached to the Rokka or when being used freely.
- Ensure that the Rokka is used on a level stable surface, whichever way up the Rokka is being used, to prevent tipping.
- Make sure your Rokka has room to rock freely without obstruction.
- Do not place the Rokka near an open fire or other sources of strong heat, such as electric bar fires, gas fires, etc due to the risk of fire.
- Keep plastic bags and other packing materials that may pose a suffocation hazard away from children and safely discard as soon as possible.

Warnings – Cleaning, Care & Maintenance

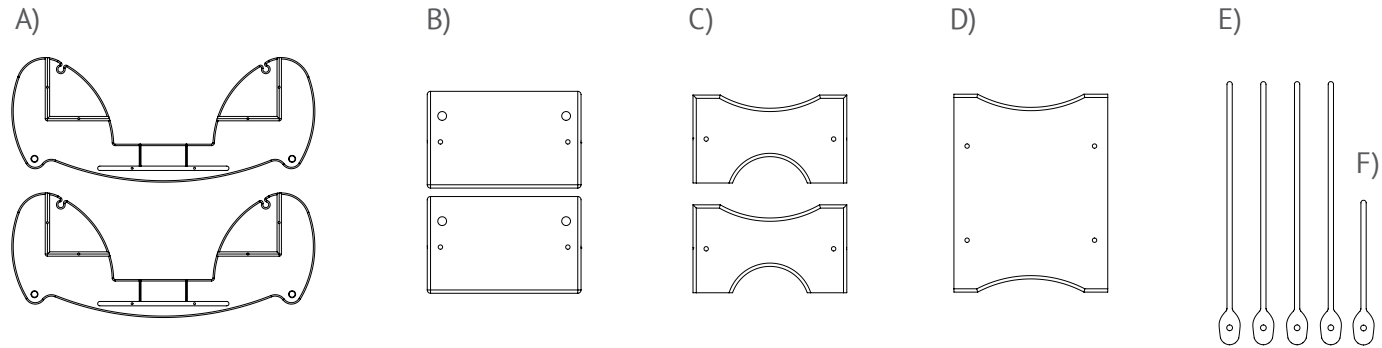
- Be certain that all components are correctly engaged and fixtures fastened before you allow a child to play on the Rokka (see assembly instructions).
- Do not use any replacement parts not manufactured by Rokka Play as this may affect your child's safety.
- Do not use the Rokka if any part or component appears to be broken, damaged or missing.
- Remember to check on and re-tighten the screws if necessary on a regular basis.
- Clean with a damp cloth. Do not use abrasive or harsh cleaning products, we recommend you use warm soapy water. Ensure that excess liquid is wiped off immediately.
- Do not allow items which cause staining to sit on the surface of the Rokka.
- Due to the natural materials used, colour variations will occur in the wood, however, if left for prolonged periods in sunlight, the overall colour may darken. The materials have been chosen for their quality and aesthetics, they should grow older gracefully! With regular care your Rokka should last generations.
- Fabrics should be hand washed or spot cleaned with a damp cloth. As the fabrics are made from 100% cotton, repeated washing may cause the fabric to stretch slightly.
- Prolonged exposure in sunlight may cause fading of the fabric colours.

Warnings – Cleaning, Care & Maintenance

DO NOT LEAVE THE ROKKA OUTSIDE IN THE RAIN OR IN DAMP CONDITIONS AS THIS MAY DAMAGE THE PROPERTIES OF THE MATERIALS.

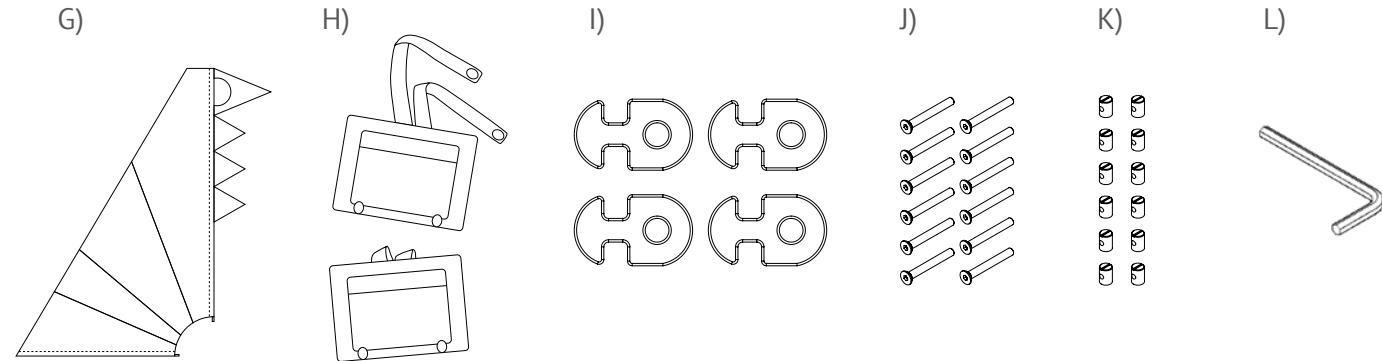


Parts – Please check that you have all of the following components in the box



Rokka and Cornish Fishing Boat parts:

- A) 2 x side panels
B) 2 x seats
C) 2 x seat backs
D) 1 x foot rest
E) 4 x large wooden spoons
F) 1 x small wooden spoon



(Illustrations not to scale)

- G) 1 x sail
H) 2 x seat cushions
I) 4 x orange fish fasteners
J) 12 x metal screws
K) 12 x metal dowels
L) 1 x Allen key

Assembling the Rokka

Step 1 Inserting the dowels

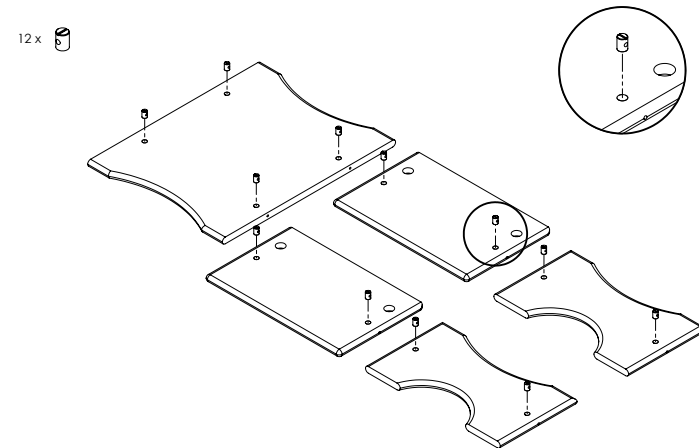
Insert 4 of the dowels **(K)** into foot rest **(D)**, ensuring that the smooth edges of the dowels all face the same direction. The foot rest side with the smooth side of the dowels will become the table top.

Insert 2 dowels into each of the seats **(B)** (4 in total), ensuring that the smooth edge of the dowels appear on the seat side without the circular grooves.

Insert the remaining dowels into the seat backs **(C)**, ensuring that the smooth side of the dowels face away from the seat, when the shallower arch of the seatback is at the top.

MAKE SURE THE HOLES IN THE DOWELS ALIGN WITH THE CORRESPONDING SCREW CHANNELS.

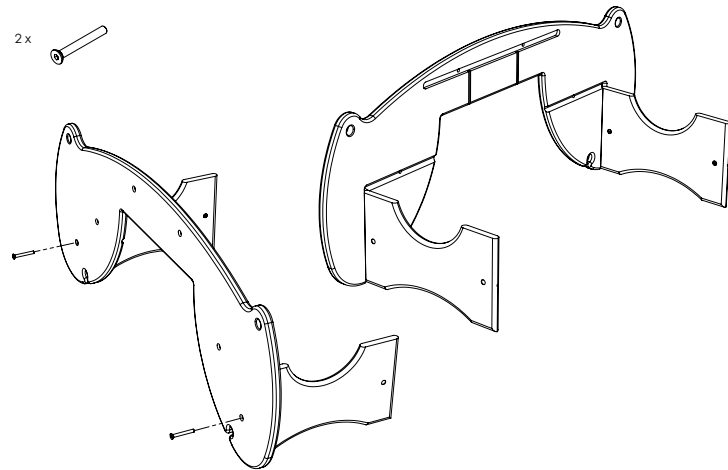
Use a screwdriver to turn the dowels so the holes align and the surface of the dowels are flush with the wood surface. They should not present any difficulty when inserting the screws later on. If they do, you may need to either turn the dowel so it aligns or push out the dowel and re-insert it correctly.



Step 2 Attaching the seat backs

Take one of the Rokka side panels (**A**) and hold in bridge format. Position one of the seat backs (**C**) against it in the vertical groove, so that the deeper arch of the seat back faces upwards and the screws line up. Secure with a screw (**J**) and Allen key (**L**).

Repeat this step by placing the second seat back at the other end of the Rokka side panel.

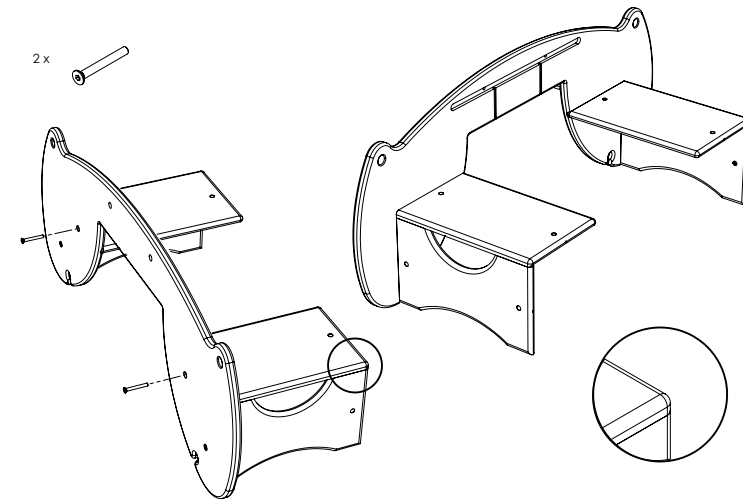


Step 3 Attaching the seats

Take one of the seats (**B**) and place it on the top of one of the seat backs (**C**), so that the circular grooves are nearer the seat back and face downwards. (The edge of the seat which meets with the seat back, is squarer than the other edge.)

Secure the seat into the joining horizontal groove in the Rokka side panel (**A**) using the screws provided.

Repeat this step by placing the second seat, on the remaining Rokka seat back, ensuring again that the circular grooves on the seat are nearer the seat back and facing downwards and both parts fit snugly into the grooves in the Rokka side.

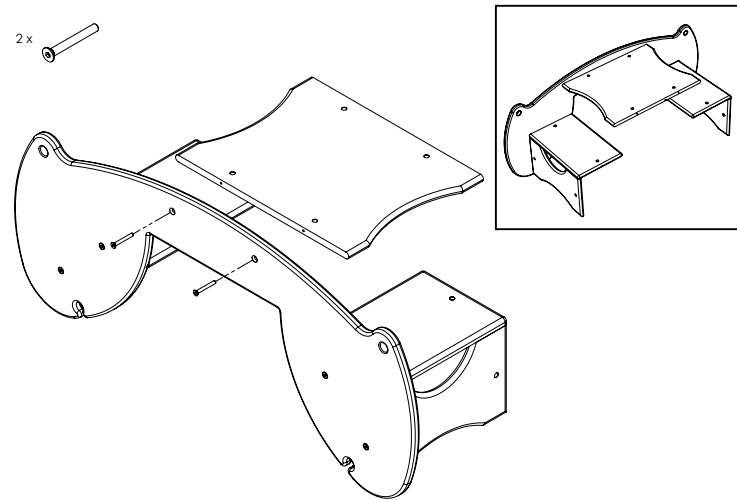


Step 4 Attaching the table

Take the foot rest **(D)** and position into middle groove in Rokka side panel **(A)** so that the smooth surface of the dowels face upwards and the screw holes align. It should be a snug fit, requiring a push to insert it.

Secure one side of the foot rest to the side panel using two screws.

(You may have noticed smaller grooves on the inside of the Rokka by the footplate. These are for shelving which comes with other accessory packs.)



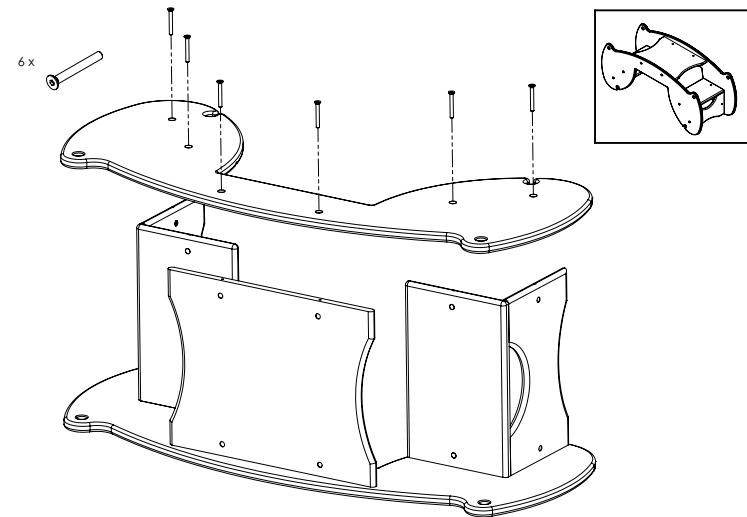
Step 5 Attaching the remaining side

Turn everything onto its side so that Rokka side panel **(A)** is resting on the floor.

Take the second side panel **(A)** and place it on top with the grooves facing downwards. If the other components have been correctly fitted, this panel should locate very easily.

Secure this panel **(A)** to the seats, seat backs and foot rest using the remaining 6 screws.

Once in place check all the screws are sufficiently tight to prevent movement in the parts. (Do not over tighten screws as this may cause damage or prevent you from being able to disassemble the Rokka at a later date.)



Hurray!

You have now
built your Rokka

The children can now have active fun rocking with friends or practicing their balancing. Alternatively, they might like to march 'The Grand Old Duke of York' over the top, take turns at jumping off, or maybe sit quietly to draw or eat a picnic.

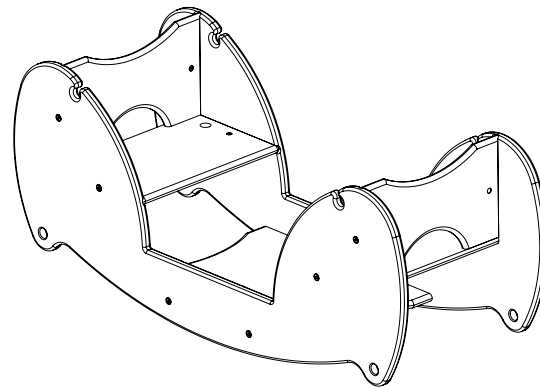


Assembling The Cornish Fishing Boat Accessory Pack

So, now the fun bit, adding the Cornish Fishing Boat accessories! The grown ups often need help here so make sure at least one child is close by to help you if you get stuck!

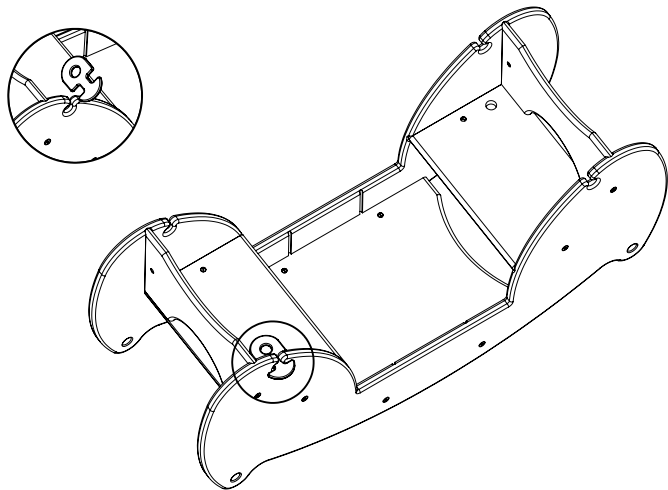
Step 1

Position your Rokka as a see-saw rocker.



Step 2 Attaching the fish fasteners

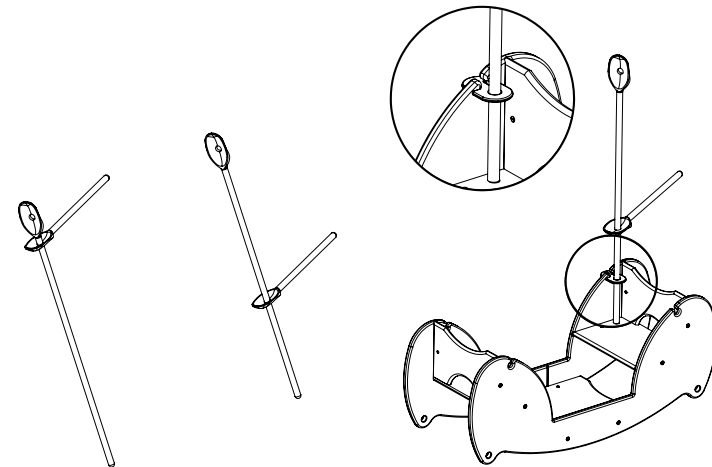
Take one of the four bright orange fish fasteners **(I)** and slot it into one of the four grooves with the circle facing inwards and twist so you can see the hole.



Step 3 Attaching the boom to the mast

Take one of the four large wooden spoons **(E)** (aka 'the mast') and slot it through the hole in the small wooden spoon **(F)** (aka 'the boom').

Make sure that the curved head of the small wooden spoon is facing upwards, towards the head of the large spoon.



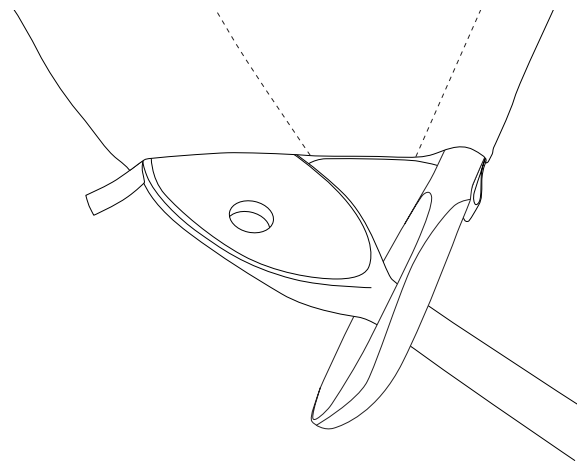
Step 4 Threading and attaching the sail

Thread the handle of the small wooden spoon **(F)** through the slim pocket along the bottom of the sail.

Then thread the large wooden spoon head **(E)** up into the larger pocket until it reaches the top of the sail.

Simply slide the mast **(E)** into the hole in the fish fastener and locate in the circular groove on the seat.

Add your cushions to the seats using the Velcro straps.



Sail away!

The children might like to make up fishing rods, pack some belongings, choose a pal to come along, decide who's captain...



Spoons

You may be wondering why you have 4 large spoons and have only used one of them.

Along with the fish fasteners, the spoons are key to transforming the Rokka into other play themes. Just attach future accessories to them or let your children come up with their own adaptations. We figured that instead of selling spoons with every accessory pack we would include them all with your original purchase. If your child is not ready for some of the accessories and play themes using them all, then hide the extras under a sofa or bed until that time comes. (They do make great paddles and fishing rods though!)

Accessory packs

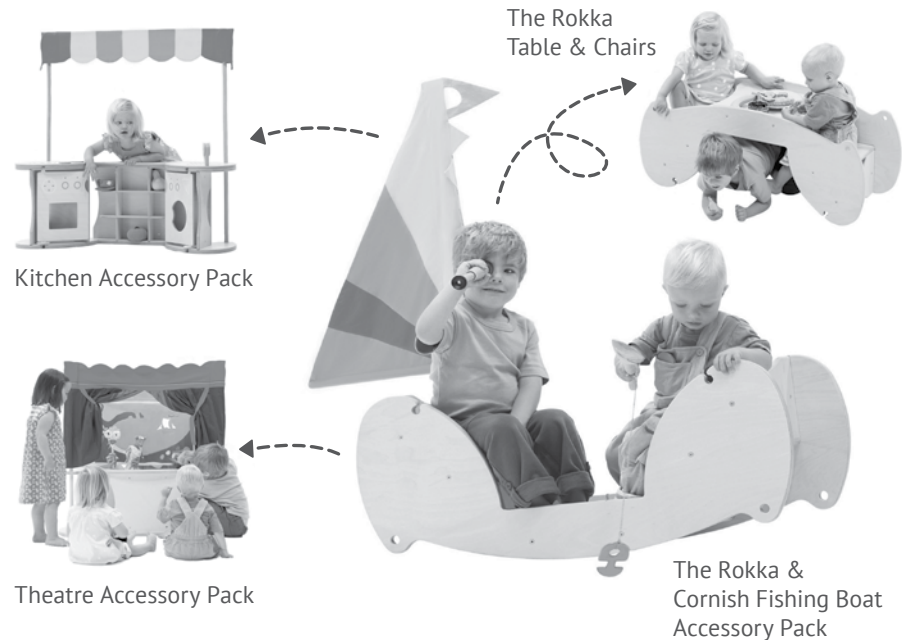
New accessory packs are regularly produced for the Rokka, to help you make good use of its versatility and save you acquiring too many bulky play items for your children. The present accessory play packs available are:

Kitchen Accessory Pack

Turn the Rokka on its side, use two of your large spoons and add the kitchen pack accessories. Parents also love this accessory, particularly as many children can play around it at the same time. When kitchen role play is over, the components simply pack into a box and the children can use the Rokka as table and chairs again for their picnic.

Theatre Accessory Pack

Using all four spoons with the dramatic stage curtains and a colourful backdrop, several children can play with this sturdy theatre. With enough space and stage options for the more complex storytelling by older children and enough stability for younger children to climb over the stage and play peek-a-boo, this is a favourite with all.



The Rokka, an adventure every day

New packs are constantly in development. Full details are provided on the website www.rokkaplay.com or you can ask your supplier for details.





Registered Address:

Bishop Fleming
Chy Nyverow
Newham Road
Truro
TR1 2DP
UK

www.rokkaplay.com
info@rokkaplay.com



©Rokka Play Ltd.

Rokka is a registered design,
No. 001708173-0001