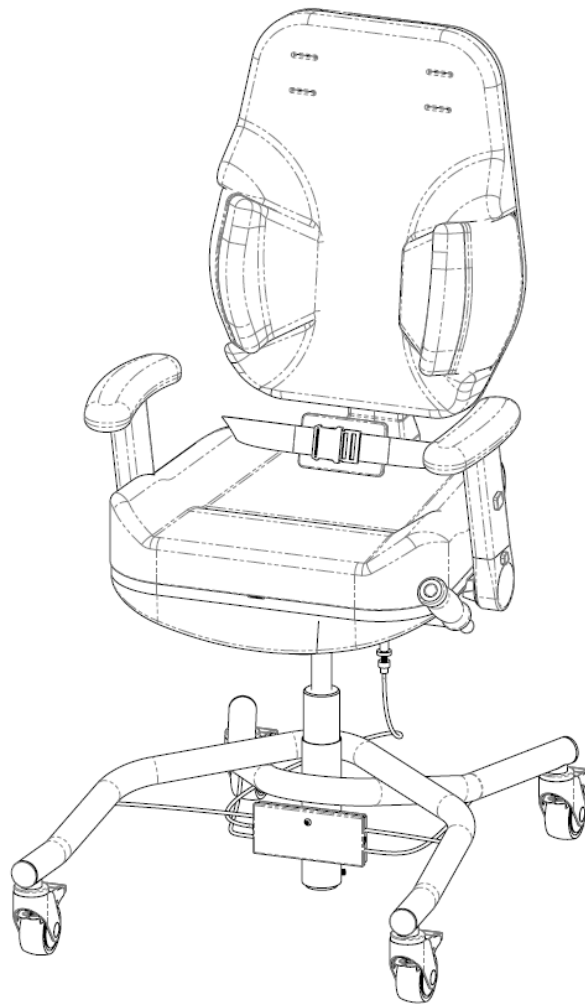


INDIGO

INSTRUCTIONS FOR USE

Codes 11114 - 11225



CONTENTS

PAGE

1.0 INTRODUCTION	2
2.0 ILLUSTRATION OF YOUR INDIGO SEATING SYSTEM	3
2.1 PRODUCT CODES REFERENCE TABLE	4
2.2 TECHNICAL DATA	4
3.0 FOR YOUR SAFETY	5
4.0 UNPACKING YOUR INDIGO SEATING SYSTEM	7
5.0 SETTING UP AND ADJUSTING YOUR INDIGO SEATING SYSTEM	9
5.1 SEAT ADJUSTMENTS	9
5.1.1 DEPTH	9
5.1.2 HEIGHT	10
5.1.3 TILT	10
5.2 ARMRESTS	11
5.2.1 HEIGHT	11
5.2.2 ROTATION	11
5.3 BACK ADJUSTMENTS	12
5.3.1 BACK RECLINE	12
5.3.2 HEIGHT	13
5.3.3 BACK LUMBAR PROMPT	14
5.3.4 THORACIC SUPPORT	14
5.4 USER OPERATED BRAKE SYSTEM	15
5.4.1 USER OPERATION	15
5.4.2 CARER OPERATION	16
5.4.3 BRAKE SYSTEM ADJUSTMENT	16
5.5 PELVIC LAP STRAP	17
6.0 OPTIONAL ACCESSORIES – FITMENT AND ADJUSTMENT	18
6.1 HEAD REST	19
6.1.1 FITMENT	19
6.1.2 HEADREST HEIGHT	19
6.1.3 HEADREST DEPTH AND ANGLE	19
6.1.4 HEADREST PROFILE/SHAPE	20
6.2 FLIP UP FOOT REST	21
6.2.1 FITMENT	21
6.2.2 HEIGHT	22
6.3 POMMEL	23
6.3.1 FITMENT	23
7.0 CARE & MAINTENANCE	24
7.1 DAILY CHECKS	24
7.2 ANNUAL SERVICE	25
7.3 NOMINAL SERVICE LIFE	25
7.4 EXTENDING NOMINAL SERVICE LIFE	26
7.5 DOCUMENTATION/RECORDS	26
7.6 PRODUCT CONFIGURATION	26
8.0 WARRANTY & SERVICE	28
9.0 CONTINUOUS IMPROVEMENT	29
10.0 SERVICE INSPECTION	30



1.0 INTRODUCTION

Thank you for choosing the IndiGO seating system from Smirthwaite.

The IndiGO seating system has been designed for use by teenagers who have mild to moderate postural management needs. It has been styled to enhance inclusivity into modern environments, and is particularly suitable for use by children who attend mainstream school on a periodic basis.

The IndiGO provides a range of features as standard including adjustable back height and recline angle as well as seat height, depth and tilt angle. The chair includes height adjustable armrests which can be quickly rotated rearwards to provide easy side transfer in and out of the chair.

Postural management can be specifically customized to suit a client's needs by adjusting the integrated lumbar prompt and thoracic supports.

When ordered, the product can be configured with a high back or low back option.

A range of accessories are available including a pommel, pelvic lap strap, 4 point harness, flat headrest (height, depth and angle adjustable), a 'Multi-grip' headrest (height, depth, angle and profile adjustable), and a height adjustable footrest with flip-up foot plates. Smirthwaite can also provide a range of sandals if required.

The IndiGO base includes a user operated brake mechanism to provide additional independence and positional security for clients.



IMPORTANT!

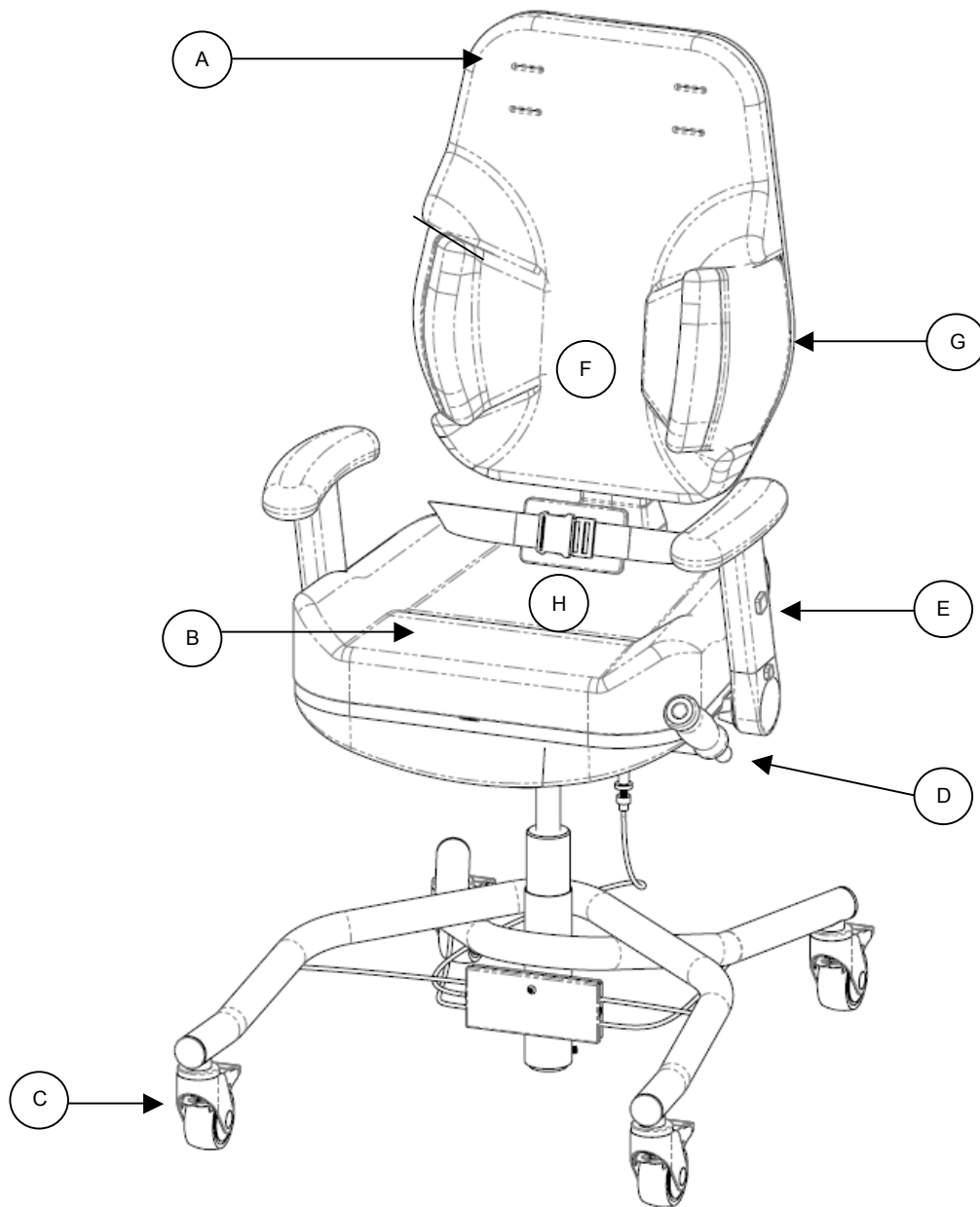
These instructions should be read by all therapists and carers using the equipment and should be retained for future reference. The product should always be used under adult supervision.

Any incorrect use of the product and failure to follow the instructions may put the user at risk or impede the function. If you have any queries using this product or wish for further copies, please do not hesitate to contact our Customer Service Team on T: +44 (0)1626 835552.

This product has been designed and manufactured specifically and solely for use by clients with special needs.



2.0 ILLUSTRATION OF YOUR INDIGO SEATING SYSTEM



- A. Backrest
- B. Seat
- C. Castors, with brakes
- D. Brake lever

- E. Arm rest (may differ as of serial no. 118817)
- F. Lumbar prompt
- G. Thoracic support
- H. Lap strap



2.1 PRODUCT CODES REFERENCE TABLE

Back Style	Colour	Size 3	Size 4	Size 5
Low	Black	11113	11114	11115
Low	Blue	11123	11124	11125
High	Black	11213	11214	11215
High	Blue	11223	11224	11225

2.2 TECHNICAL DATA

Dimension	Size 3	Size 4	Size 5
Seat height from floor (mm)	490-650	490-650	490-650
Seat tilt (Supine-Prone)	87-100	87-100	87-100
Seat depth range (mm)	340-420	340-420	390-470
Seat width (mm)	390	440	490
Back angle (Supine-Prone)	90-105	90-105	90-105
High Back range (mm)	490-550	560-640	560-640
Low Back range (mm)	420-500	420-500	420-500
Head rest height from top of back rest (mm)	100-200	100-200	100-200
Armrest height (mm)	190-250	190-250	190-250
Lower leg length to footrest (mm)	260-340	340-490	340-490
Base length and width (mm)	900 x 740	900 x 740	900 x 740
User weight limit (kg)	75	100	100
Overall product weight (kg)	25	27	30



3.0 FOR YOUR SAFETY



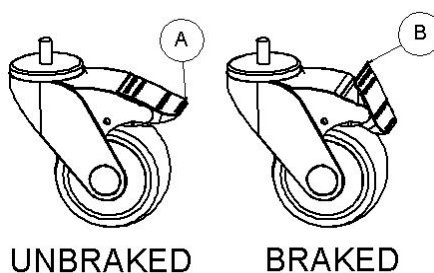
STOP!

Please read these instructions **CAREFULLY** and **THOROUGHLY**.

Always lock the castors when attaching items, or making adjustments.

There are two methods to lock the brakes on the IndiGO chair:

- 1) Push the brake lever downwards to simultaneously apply the brake to all four castors, or
- 2) Apply foot to point (A); to unlock, apply foot to point (B) on each individual castor



- The user should **NOT** be left unattended whilst in the product. Always ensure a responsible therapist or carer is in attendance
- The carer should be familiar with the methods of adjustment and have completed all adjustments appropriately to meet the needs of the child before transferring the child onto the product
- Regular maintenance checks and cleaning are essential for the safe use of this equipment (see care and maintenance section)
- Ensure that all nuts, bolts and hand wheels are securely tightened and that none are missing
- The chassis is **ONLY** to be used indoors on a flat level surface
- Always fasten the lap strap harness and any other straps provided with the product
- Always keep this product away from naked flames, cigarettes and sources of heat including open fireplaces, radiators and heaters



- **DO NOT** fit parts or accessories of other manufacturers to this product unless authorized to do so in writing by Smirthwaite Ltd. Failure to follow these instructions will not only invalidate the guarantee but could make the chair dangerous to use. Smirthwaite Ltd will not accept liability for any injury or damage incurred through such malpractices. Any repairs required must be carried out by Smirthwaite Ltd authorized personnel

LAP STRAPS & HARNESSSES SAFETY NOTICE

Lap straps and harnesses must be appropriate and safe for the user and the users clothing.

Lap straps and harnesses must be checked every time the chair is used to ensure they are fitted as prescribed by the clinician, take account of the users clothing and are tightened so that the user cannot sustain injury.

Checking the fit of lap straps and harnesses must be done with the user in the chair and should be undertaken as soon as the users sits in the chair.



STOP!

LAP STRAPS & HARNESSSES SAFETY NOTICE

Lap straps and harnesses must be appropriate and safe for the user and the users clothing.

Lap straps and harnesses must be checked every time the chair is used to ensure they are fitted as prescribed by the clinician, take account of the users clothing and are tightened so that the user cannot sustain injury.

Checking the fit of lap straps and harnesses must be done with the user in the chair and should be undertaken as soon as the users sits in the chair.



4.0 UNPACKING YOUR INDIGO SEATING SYSTEM

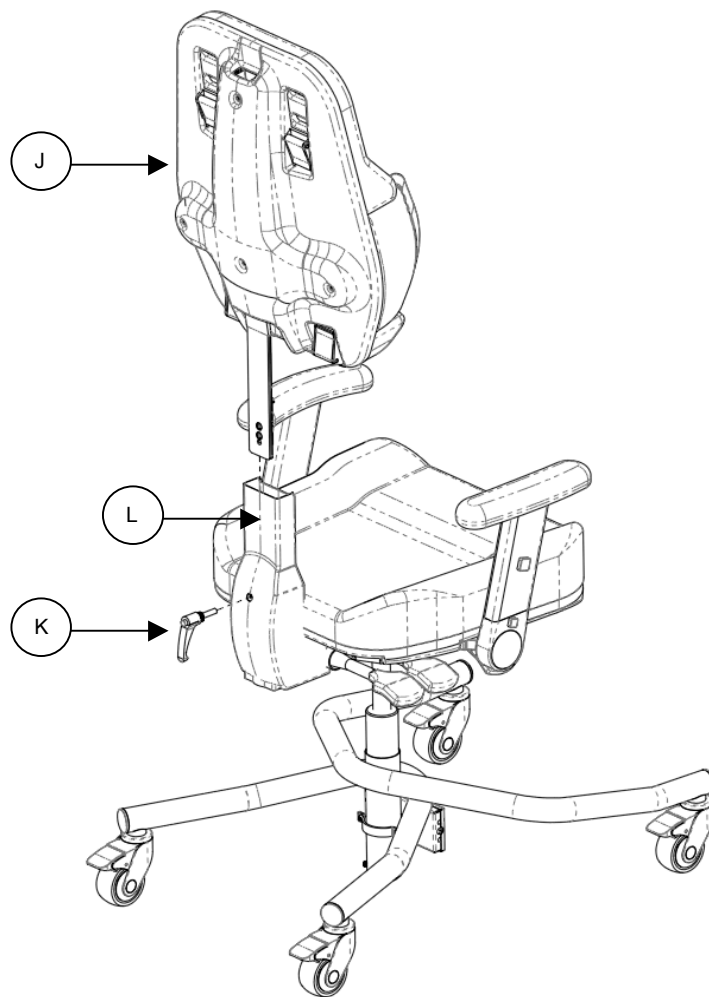


STOP!

If in any doubt, ALWAYS seek ADVICE.

Always turn hand wheels, levers and screws clockwise to tighten or anti-clockwise to loosen.

- When delivered the product will be supplied with the back rest (J) removed.
- Unwind lever (K) and insert back rest (J) into the back mechanism (L) – ensure it is inserted fully.
- Tighten lever (K) to secure the back rest (J) into place.



- If you have specified accessories at the time of order, your IndiGO may be supplied with these factory fitted.
- Alternatively, please refer to Section 6.0 for details of how to fit and adjust your accessories prior to use



STOP!

If you believe this product to be faulty – DO NOT USE

Contact: Smirthwaite Ltd

T: +44 (0)1626 835552

F: +44 (0)1626 835428

E: info@smirthwaite.co.uk



5.0 SETTING UP AND ADJUSTING YOUR INDIGO SEATING SYSTEM



STOP!

If in any doubt, **ALWAYS** seek **ADVICE**.

Always turn hand wheels, levers and screws clockwise to tighten or anti-clockwise to loosen.

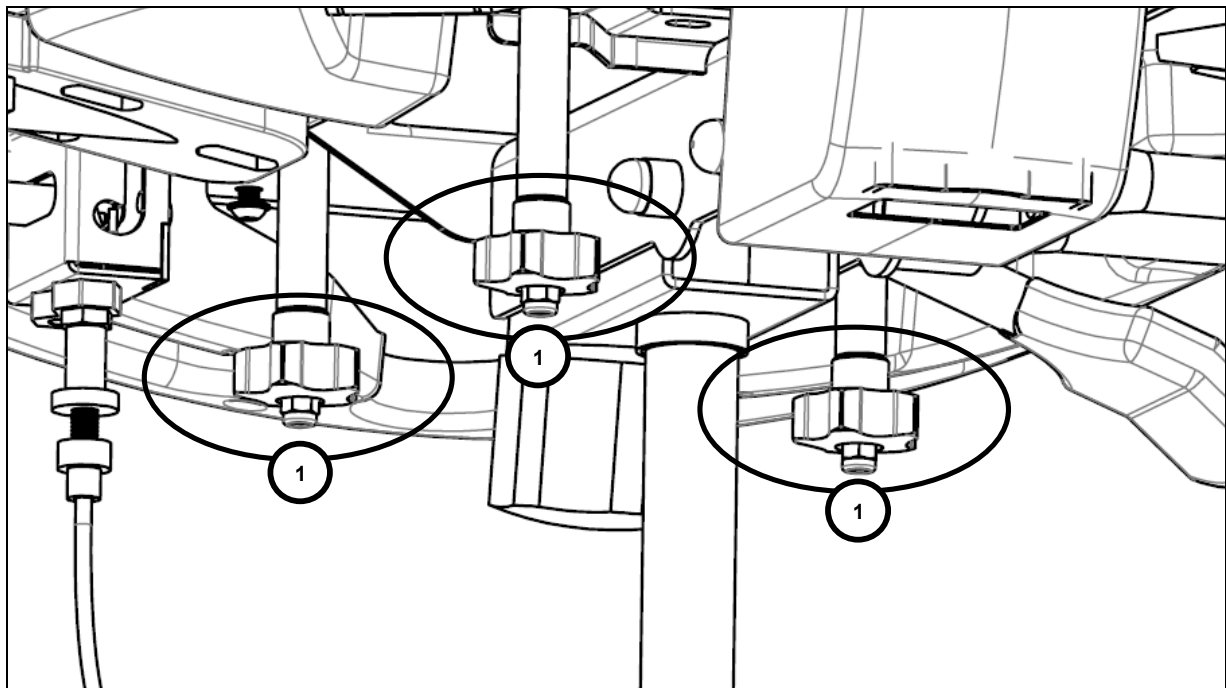
5.1 SEAT ADJUSTMENTS

3 adjustments can be made to the seat; depth, height and tilt.

5.1.1 DEPTH

To move seat forwards or backwards

- Loosen the 3 hand wheels on the underside of the seat (1).
- Slide seat to desired position.
- Ideally allow 25mm gap between the back of knee and the edge of the seat.
- Tighten the 3 hand wheels securely (1).



5.1.2 HEIGHT

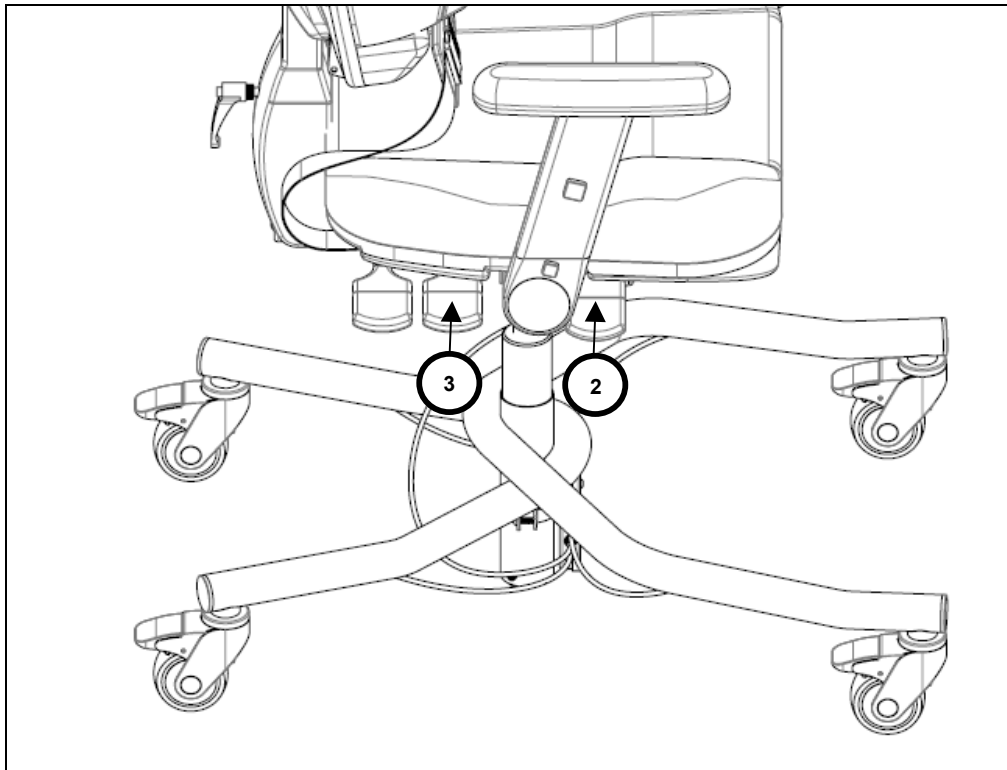
To raise or lower the seat:

- To raise the seat height, lift the hand lever (2) on the right hand-side of the seat and allow the seat to rise under the gas assist – in order for the seat to rise, the user weight must be removed.
- To lower the seat height, lift the hand lever (2) whilst sat in the seat and release the lever once at the desired height setting.

5.1.3 TILT

To adjust the tilt angle of the seat:

- Lift the hand lever (3) to unlock the tilt mechanism.
- Adjust the seat tilt to the desired angle.
- Lock the hand lever (3) to secure the seat into the desired position.



5.2 ARMRESTS

5.2.1 HEIGHT

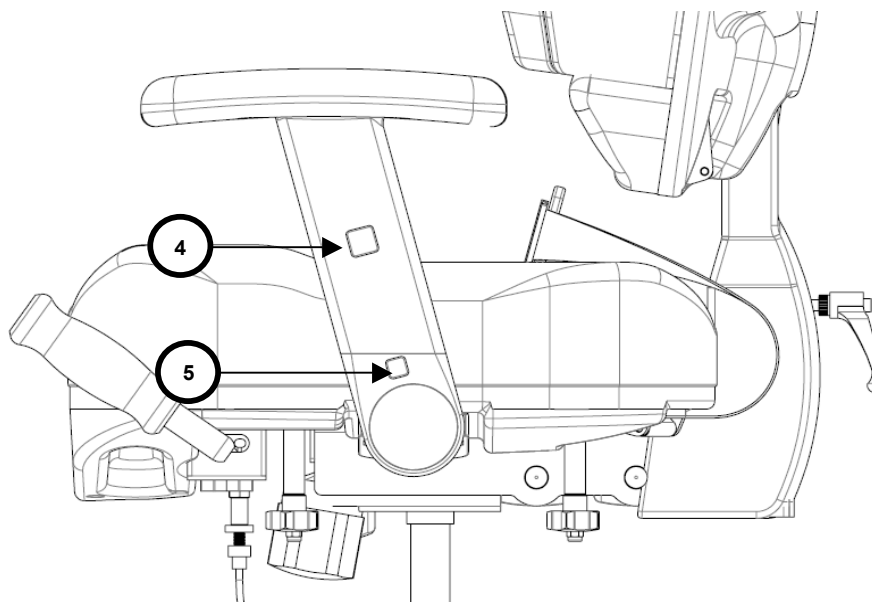
To raise or lower the armrests:

- Press and hold button (4).
- Slide armrests to desired position.
- Release button (4) to lock.
- Repeat on opposite side, as necessary

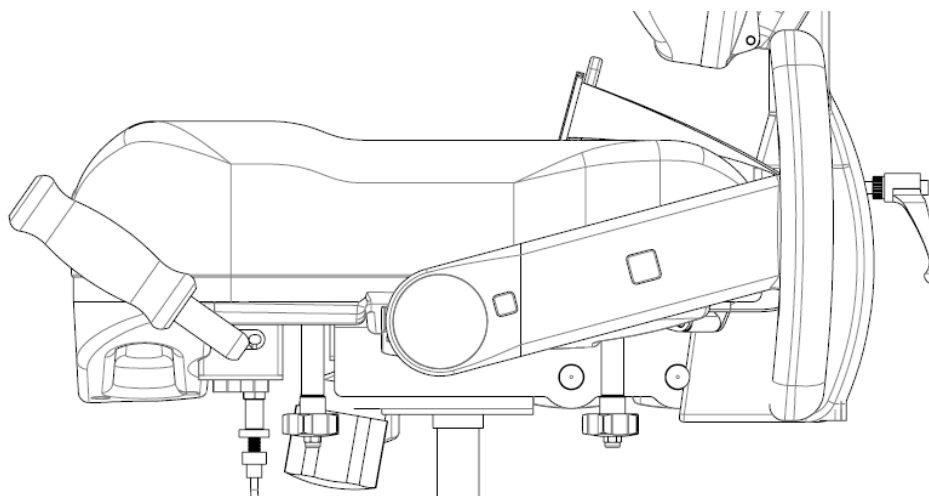
5.2.2 ROTATION

To swing the armrest away for ease of transfer:

- Press and hold button (5).
- Rotate armrest rearwards.
- To restore the armrest to the vertical position, simply swing forward.
- There should be a 'click' to indicate the armrest is now locked in the vertical position.



ARMREST UP



ARMREST DOWN

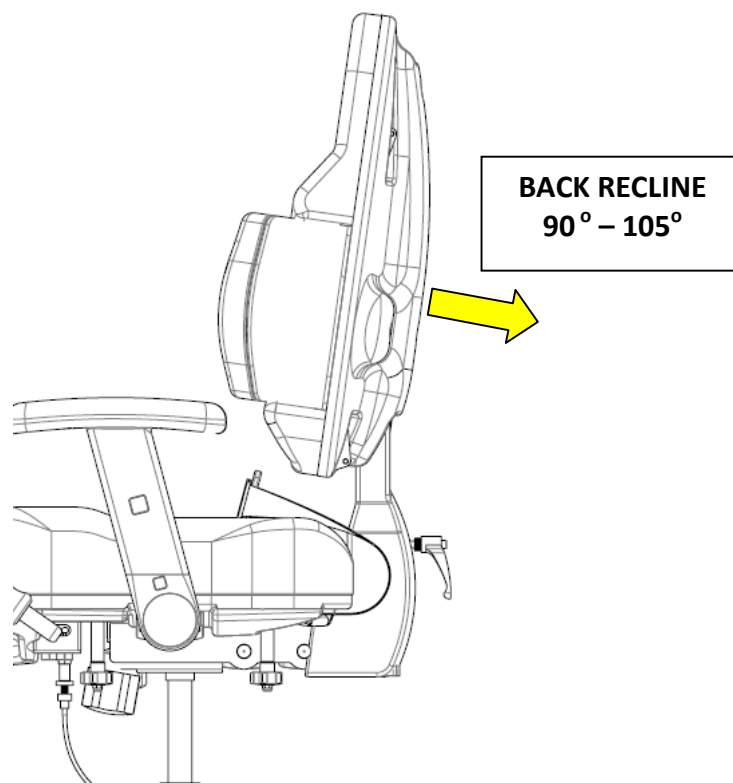
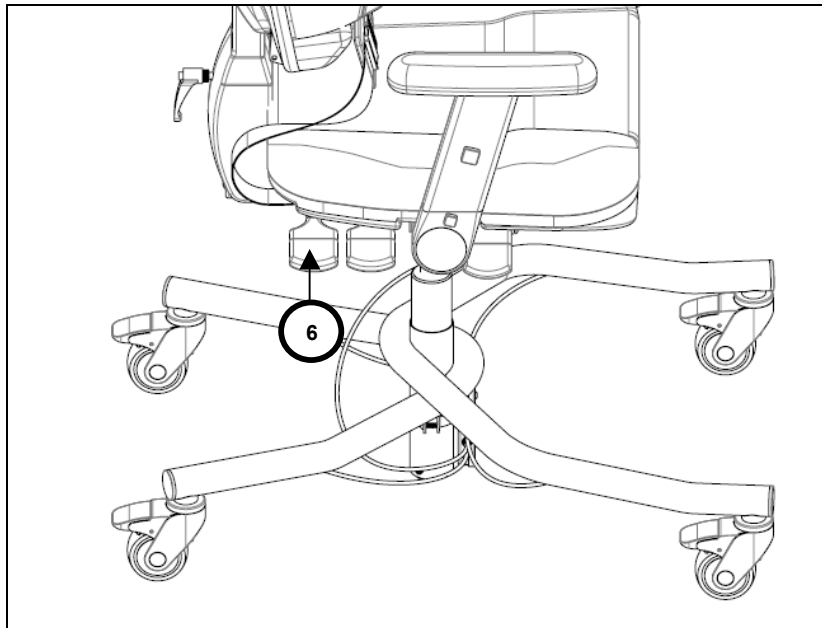


5.3 BACK ADJUSTMENTS

5.3.1 BACK RECLINE (ANGLE)

To set the angle:

- Lift the hand lever (6) to unlock the tilt mechanism.
- Adjust the back recline to the desired angle.
- Lock the hand lever (6) to secure the back into the desired position.



5.3.2 HEIGHT

To raise the backrest:

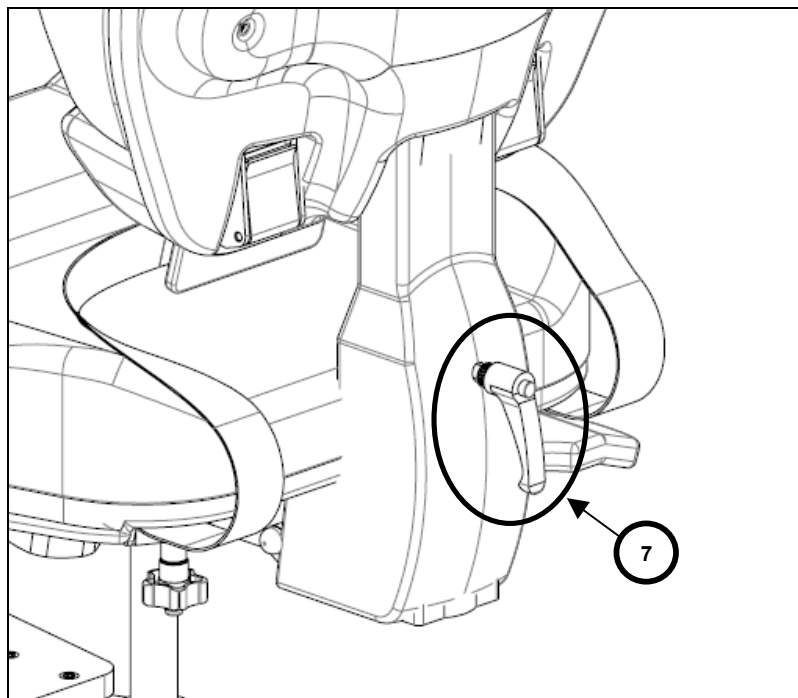
- Loosen lever (7) found on rear of seat by turning anti-clockwise
- Lift the backrest to the desired height; there are a series of back height 'steps' that be selected.

To lower the backrest:

- Raise the backrest by lifting to the maximum setting; the backrest will then slide to the minimum setting, permitting reselection of the desired height.

To secure at desired height setting:

- Tighten lever (7) found on rear of seat by turning clockwise



5.3.3 BACK LUMBAR PROMPT

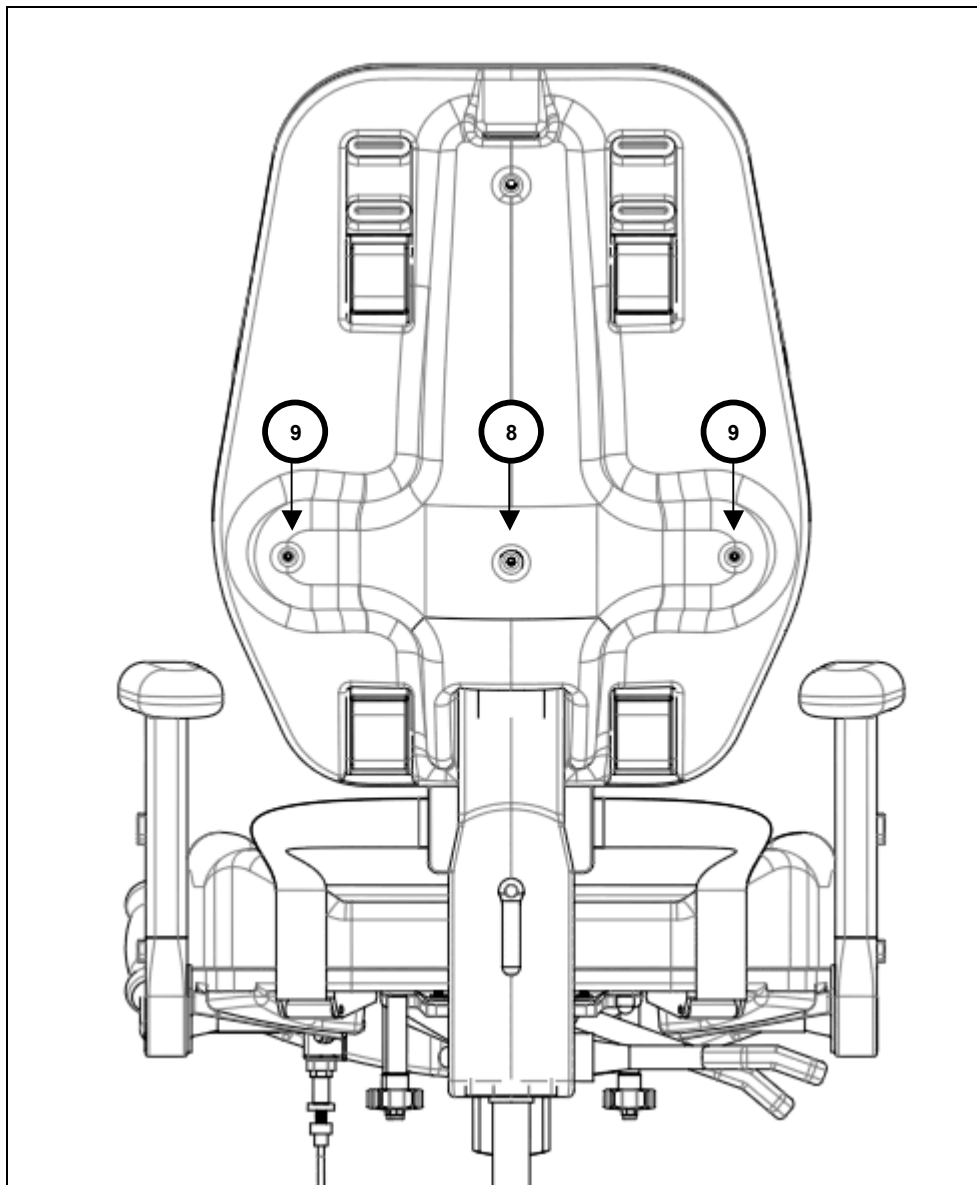
To set the lumbar:

- Insert the hex key into the adjustment socket (8) and turn clockwise or anti-clockwise to set the depth of lumbar support required for your client's need.

5.3.4 THORACIC SUPPORT

To set the level of thoracic support:

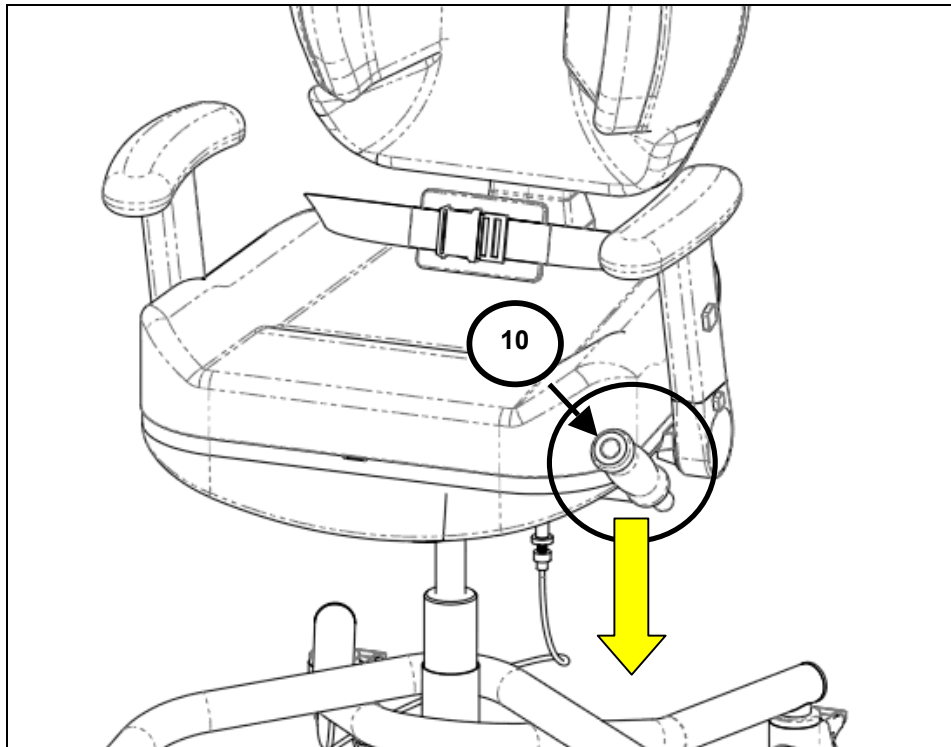
- Insert the hex key into the adjustment sockets (9) and turn clockwise or anti-clockwise to set the angle of thoracic support required for your client's need.
- Each thoracic support can be adjusted independently.



5.4 USER OPERATED BRAKE SYSTEM

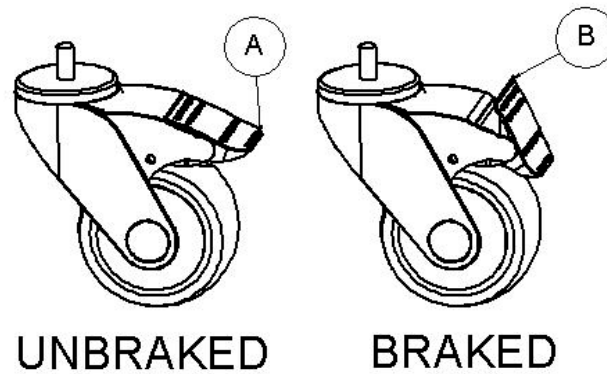
5.4.1 USER OPERATION

- To apply the brakes, simply push the lever (10) downwards
- The brakes can then be locked in the 'on' position by parking the lever – simply push the lever away from the seat cushion when it has reached its fully downward position.
- To release the brakes, pull the lever toward the seat to release from its park position.
- The lever is sprung-loaded; once it is released it will automatically return to its top position



5.4.2 CARER OPERATION

- The IndiGO has been designed to permit any of the castors to be independently applied or released by a carer, using each individual castor foot pedal
- If the user is having difficulty operating the brake system, check that the brake pedal on each castor is in the 'unbraked' position as shown below (A)

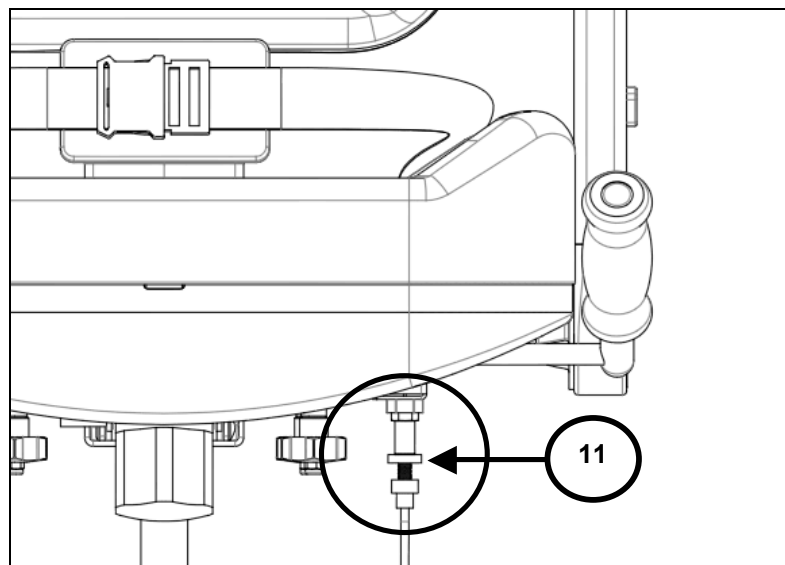


IMPORTANT!

If the user is having difficulty operating the brake system, check that the brake pedal on each castor is in the 'unbraked' position

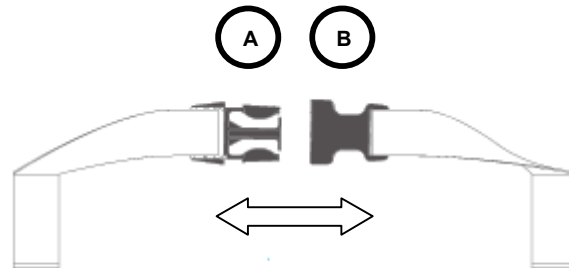
5.4.3 BRAKE SYSTEM ADJUSTMENT

- Adjustment of the brake mechanism is possible by rotating the adjustment knob (11) that can be found underneath the seat cushion (circled below).
- The IndiGO will be supplied pre-adjusted for optimum; adjustment is only needed if the mechanism performance degrades over long term use.

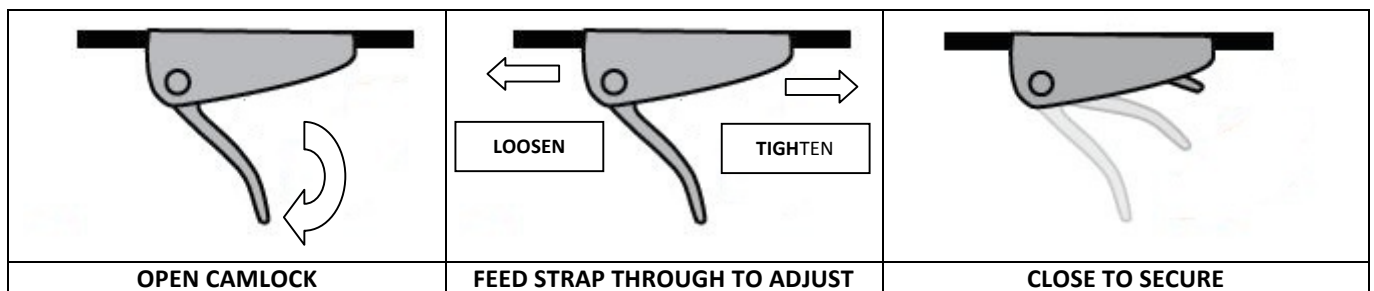
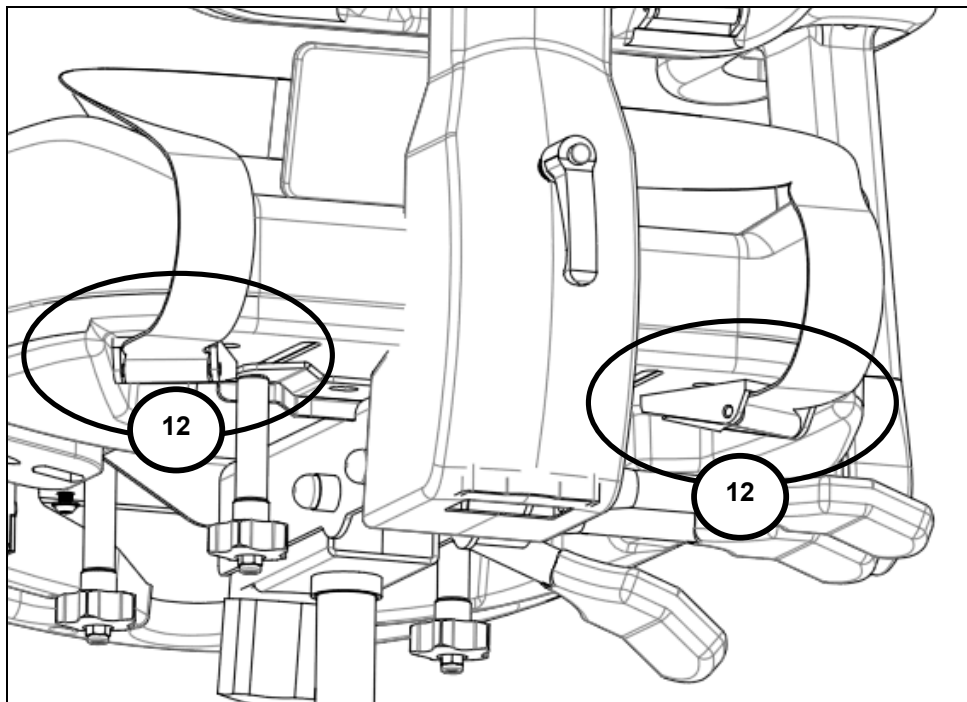


5.5 PELVIC LAP STRAP

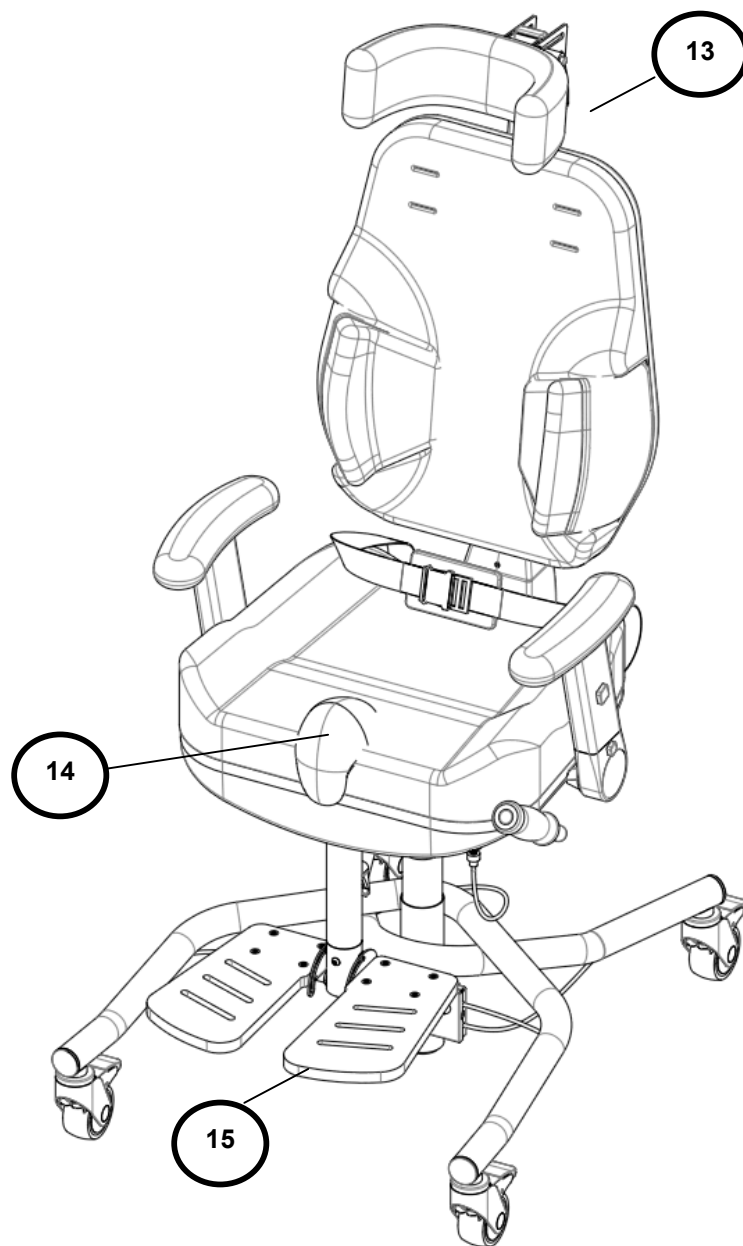
- The IndiGO is supplied with a 2 point pelvic padded lap strap as standard.
- The buckle is secured by pushing the male plug (A) into the female receiver (B)
- To release the buckle, press both sides of the male plug



- To alter the length of the pelvic strap, simply adjust the amount of strap that is fed through the cam-lock fasteners, which are located under the seat base at the rear (12).



6.0 OPTIONAL ACCESSORIES – FITMENT AND ADJUSTMENT



#	Product Code	Item
13	HT028	Flat head rest
13	HT029	Multi grip head rest
14	PL035	Pommel
15	FR055	Flip-up footrest



6.1 HEAD REST

6.1.1 FITMENT

- Insert the head rest stem into the socket located on the rear of the seat back (16)
- Take the M6 x 20mm screw (17) and washer (18) and insert the screw through aperture (19) and into the head rest stem to secure in place

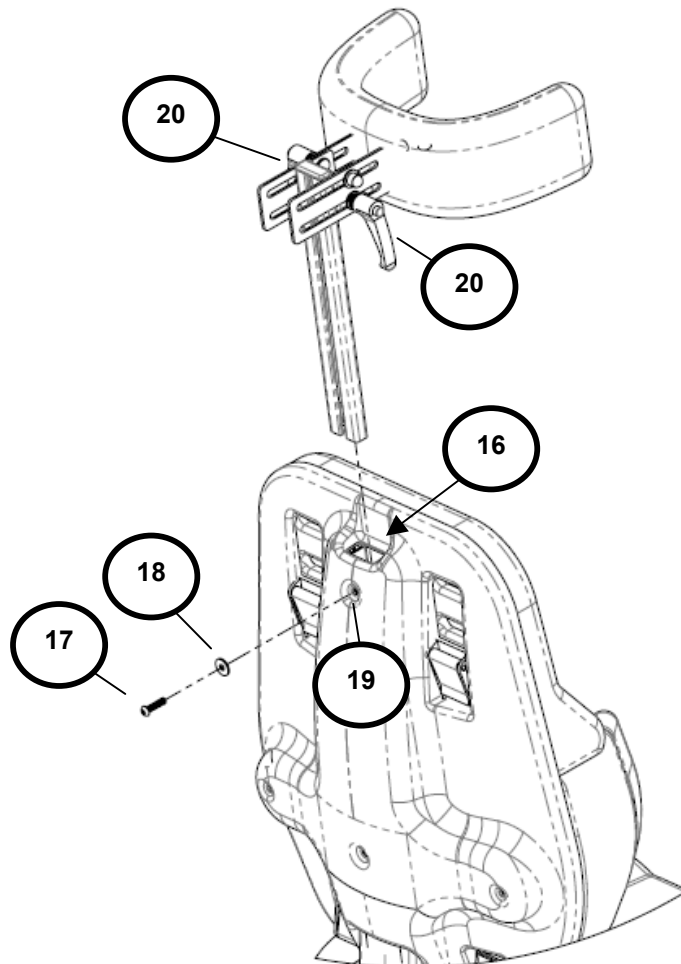
6.1.2 HEADREST HEIGHT

- Loosen the M6 x 20mm screw (17) and slide the head rest to desired height
- Tighten the M6 x 20mm screw (17) to secure in place

6.1.3 HEADREST DEPTH AND ANGLE

To change the **depth or angle** of the headrest:

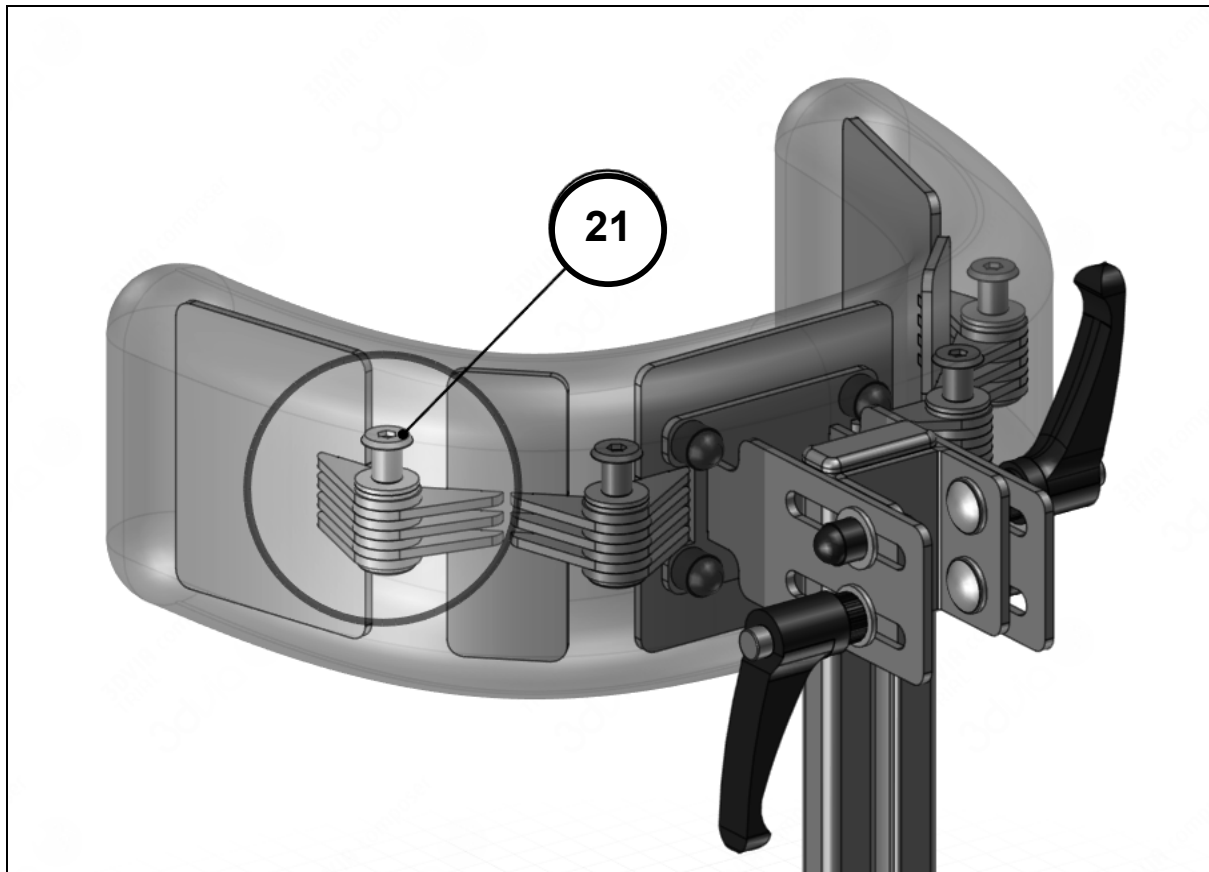
- Loosen the two lever locks (20).
- Slide/angle the headrest to desired position.
- Tighten the two lever locks (20) to lock.



6.1.4 HEADREST PROFILE/SHAPE – (MULTI GRIP HEAD REST ONLY)

To **alter the profile (shape)** of the headrest:

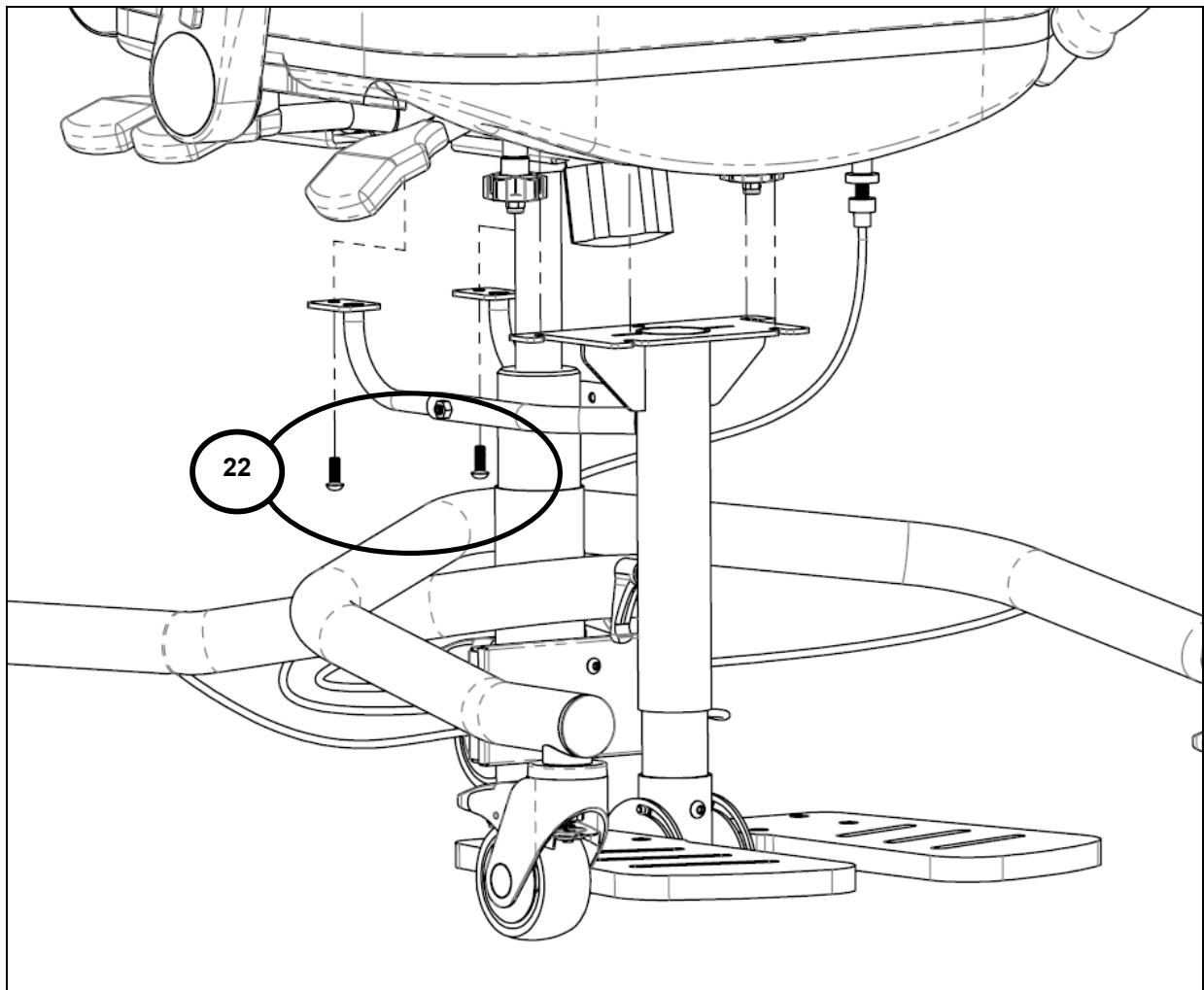
- Locate and unzip the cover of the headrest.
- Using the hex key, loosen the bolts that secure the individual headrest elements (21).
- Position/shape the headrest elements to suit your client's needs.
- Tighten the headrest elements (21) to lock into the desired profile (shape).
- Zip the cover shut on the headrest to complete.



6.2 FLIP UP FOOT REST

6.2.1 FITMENT

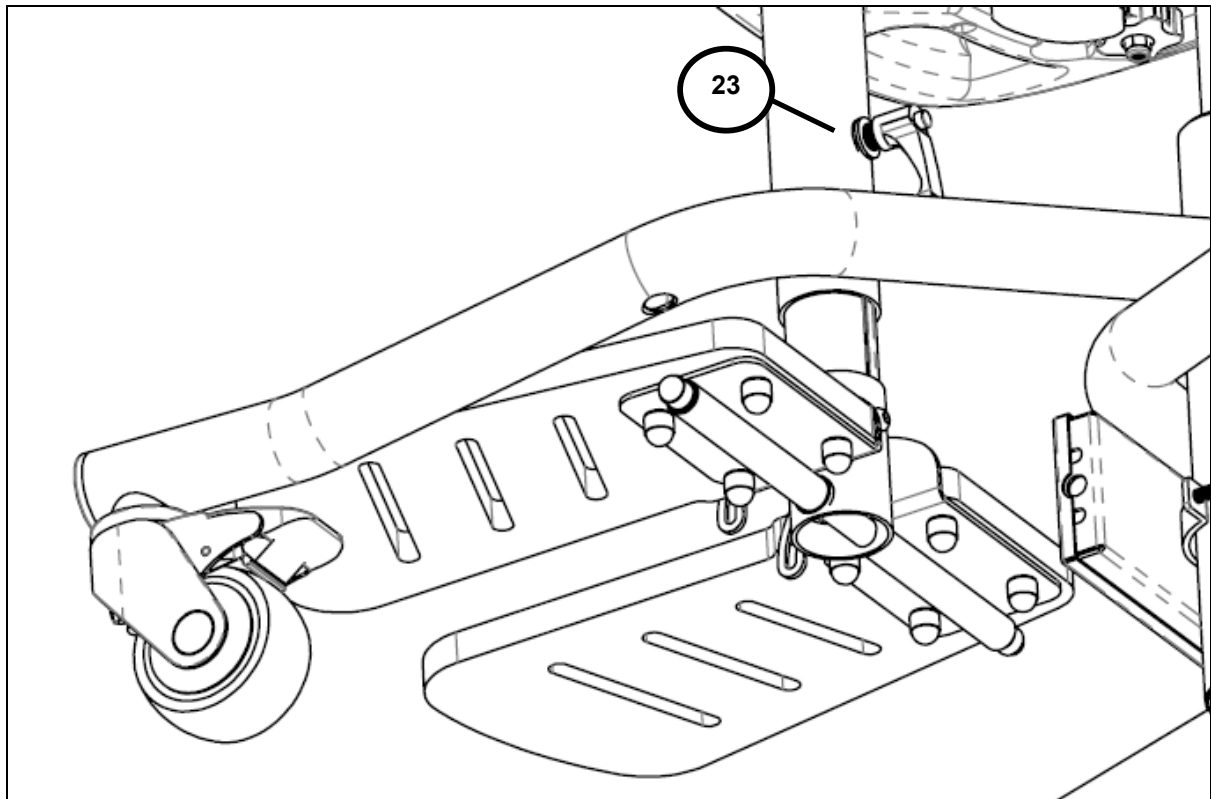
- The foot rest assembly is attached to the underside of the seat base by 6 screws (M6 x 16mm). Four of these will already be fitted to the underside of the seat by the factory.
- Using the hex key provided, ensure the four screws fitted to the underside of the seat are loose and then offer up the foot rest.
- Slide the foot rest assembly forward to engage with the four screws and then tighten to secure into place.
- Insert two further screws (22) at the rear to finish the assembly



6.2.2 HEIGHT

To raise the foot rest height:

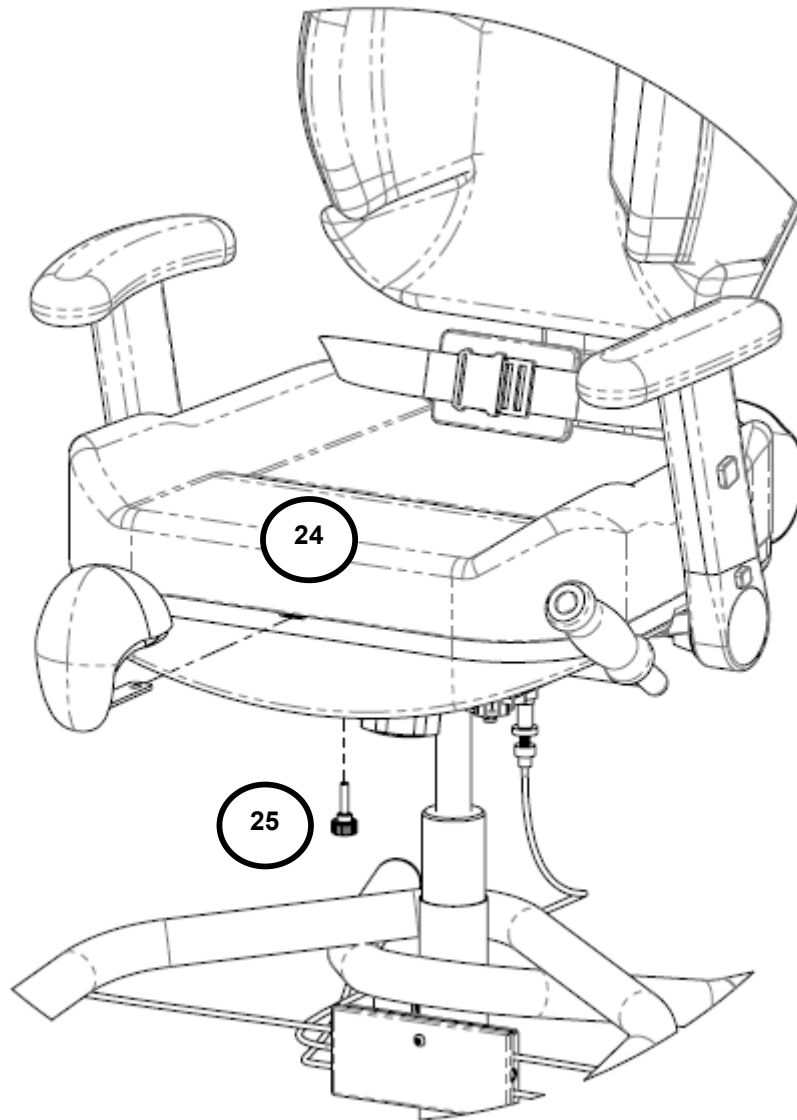
- The footrest assembly can be adjusted for height position by loosening the lever (23).
- Ensure lever (23) is securely tightened before using the chair.
- Each foot plate can be stored vertically (flipped up) to aid transfer in and out of the Indigo.



6.3 POMMEL

6.3.1 FITMENT

- Insert the Pommel through the slot on the front face of the seat (24) and secure in place on the underside of the chair using the grip knob (25)



7.0 CARE AND MAINTENANCE



IMPORTANT!

CLEANING IS RECOMMENDED ON A REGULAR BASIS

- Clean metal parts and upholstery with a damp cloth and mild detergent
- Do not soak or immerse the product in water
- Store the product in a cool dry place and out of direct sunlight
- DO NOT use bleach, solvents, abrasives, synthetic detergents, wax polishes, antibacterial sprays or wipes
- For further information please refer to your regional healthcare cleaning guidelines

7.1 DAILY CHECKS

- Check for signs of wear, tear or damage
- Check for missing parts
- Check that all screws are present and tighten correctly, and are not cross-threaded or damaged
- Check all straps for fraying, and that buckles are not missing/damaged
- Check that the castors run freely and the brakes on each castor function correctly
- Check that the high-low gas strut feature operates correctly
- Check that the footplate is set to the correct height for the client, and that it is securely in place



7.2 ANNUAL SERVICE

The IndiGO Seating System should be serviced every 3 years. Servicing must only be undertaken by a Smirthwaite service engineer, or by a Smirthwaite trained representative.

7.3 NOMINAL SERVICE LIFE

Your product has a nominal service life of 12 years, during which full post-sales support will be available with regard to spares and servicing.

Product service life has been determined based upon the design complexity of product, and the anticipated exposure to normal use.

Good practice dictates all Smirthwaite products have been designed and manufactured to high levels of safety and quality, and will meet requirements of normal use when maintained in line with our servicing recommendations.



STOP!

If the product has been out of use for an extended period of time (6 months or more) it should always be serviced prior to being re-issued.

If the product has been subjected to 'heavy' or 'constant' use, the service should be reduced to half the recommended period.

Constant and/or heavy use is considered to be:

- Daily use above 7 hours duration
- Weekly use above 5 days duration
- Monthly use above 10 months per year
- Use by a client who is at 90% to 100% of the maximum weight limit of the product. The maximum weight limit must **NEVER** be exceeded
- Use by a client who is extremely active, either voluntarily or involuntarily



7.4 EXTENDING NOMINAL SERVICE LIFE

At Smirthwaite we are proud to produce products that have a reputation for quality and durability.

We believe our products have the potential to provide benefits to our clients beyond the nominal service life documented above.

We will continue to provide full support beyond the nominal service life provided the following conditions are met:

1. A full service schedule has been maintained.
2. A full service and inspection is undertaken at the end of the nominal service life period.
3. The product is subsequently serviced annually (or biannually if under 'heavy/constant' use conditions).
4. Smirthwaite reserves the right to limit support where parts/components are no longer available.

7.5 DOCUMENTATION/RECORDS

- It is the responsibility of the current equipment owner to ensure the 'Instructions for Use' manual and any further manuals for accessories fitted to the equipment are handed over to the new owner at the time of exchange/sale
- It is the responsibility of the current equipment owner to ensure the service and inspection record form is kept up to date

7.6 PRODUCT CONFIGURATION

- Smirthwaite will document and maintain a record of the original product configuration at the time of first sale
- Smirthwaite will not be held responsible for any subsequent changes to this configuration unless authorized to do so in writing by Smirthwaite
- It is the equipment owner's responsibility to maintain their own records of changes to the equipment configuration and to be able to provide such records to subsequent owners to maintain traceability



- We recommend an inspection/service by a Smirthwaite service engineer (or Smirthwaite trained engineer) whenever a significant change is made to product configuration to ensure the product is safe to use. **If in any doubt, ALWAYS seek ADVICE**



IMPORTANT REMINDER!

DO NOT fit parts or accessories of other manufacturers to this product unless authorized to do so in writing by Smirthwaite.

Any servicing or repairs required must be carried out by Smirthwaite (or a Smirthwaite trained engineer).

If you believe this product to be faulty – DO NOT USE

Contact: Smirthwaite Ltd

T: +44 (0)1626 835552

F: +44 (0)1626 835428

E: info@smirthwaite.co.uk

If in any doubt, ALWAYS seek ADVICE.



8.0 WARRANTY & SERVICE

Smirthwaite Ltd warrants the products detailed on your order to be free from defects in materials and workmanship for a period of 2 years from date of delivery. If a fault develops during the period, please call Customer Services by email or telephone 01626 835552 who will advise you on the best course of action. Possible action may be for us to arrange to send out one of our Service Engineers, or have the goods returned to us. Should a repair not be possible within the guarantee period we will replace the product for new or nearest equivalent product. In the unlikely event that we cannot repair or exchange we will refund in full.

This warranty is for the UK only. The warranty excludes faults due to accident, neglect, misuse, not following the Instructions and normal wear and tear. This warranty is in addition to your legal rights. Goods will only be collected from the original delivery address.

A charge may be made where the goods cannot be repaired under the terms of the warranty. You will be advised before this is made.

T: +44 (0)1626 835552 E: info@smirthwaite.co.uk



9.0 CONTINUOUS IMPROVEMENT

Smirthwaite is committed to continuous improvement of their product range. Should you have any suggestions or comments please contact our product design department, using info@smirthwaite.co.uk

Smirthwaite reserves the right to change the specification or material without prior notice.

For catalogues, help and further information on our products please contact us at:

Smirthwaite Ltd
16 Wentworth Road
Heathfield
Newton Abbot
Devon
TQ12 6TL

T: +44 (0)1626 835552
F: +44 (0)1626 835428
E: info@smirthwaite.co.uk





Smirthwaite, 16 Wentworth Road, Heathfield, Newton Abbot, Devon.TQ12 6TL
T: +44 (0) 1626 835552 F: +44 (0) 1626 835428 E: enquiries@smirthwaite.co.uk
www.smirthwaite.co.uk

