

JUNI

INSTRUCTIONS FOR USE

Covers Juni Chair, Booster, Hi Lo Base, Footrest & Table



SECTIONS	PAGE START
1.0 JUNI CHAIR	2
2.0 BOOSTER	19
3.0 HI-LO BASE	35
4.0 FOOTREST	48
5.0 TABLE	57



1.Juni Chair

INSTRUCTIONS FOR USE

Codes 16011 - 16034



CONTENTS	PAGE
1.0 INTRODUCTION	3
2.0 ILLUSTRATION & TECHNICAL DATA	4
3.0 FOR YOUR SAFETY	4
4.0 UNPACKING AND ASSEMBLING YOUR CHAIR	5
5.0 SETTING UP AND ADJUSTING YOUR CHAIR	6
6.0 CARE & MAINTENANCE	14
7.0 WARRANTY & SERVICE	17
8.0 CONTINUOUS IMPROVEMENT	17
9.0 SERVICE INSPECTION	18

1.0 INTRODUCTION

Thank you for choosing your new Smirthwaite Juni Chair.

The Juni has been designed for children who require minimal levels of postural support when seated. It's simple, unobtrusive design style fits well into nursery, school and home environments.



IMPORTANT!

These instructions should be read by all therapists and carers using the equipment and should be retained for future reference. The product should always be used under adult supervision.

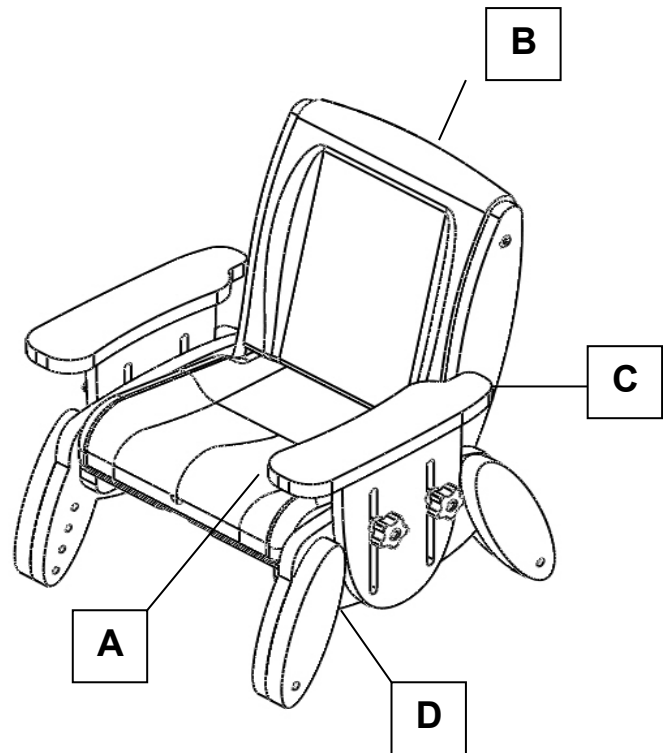
Any incorrect use of the product and failure to follow the instructions may put the user at risk or impede the function. If you have any queries using this product or wish for further copies, please do not hesitate to contact Customer Service department on T: +44 (0)1626 835552

This product has been designed and manufactured specifically and solely for use by clients with special needs.



2.0 ILLUSTRATION OF YOUR JUNI CHAIR

- A. Contoured seat
- B. Adjustable backrest
- C. Adjustable armrest
- D. Outrigger legs



2.1 TECHNICAL DATA

Chair

Size	height	width	depth	back height	back angle	weight limit
1	160-220	240	180-240	260	95/100/105	30
2	200-280	280	220-300	290	95/100/105	40
3	240-340	325	260-360	325	95/100/105	50
4	300-400	365	320-420	400	95/100/105	60

3.0 FOR YOUR SAFETY




STOP!

Please read these instructions CAREFULLY and THOROUGHLY

- The user should NOT be left unattended whilst using the chair. Always ensure a responsible adult or carer is in attendance
- The carer should be familiar with the methods of adjustment and have completed all adjustments appropriately to meet the needs of the child before use



- Regular maintenance checks and cleaning are essential for the safe use of this equipment (see care and maintenance section)
- If any part is loose, damaged or functioning incorrectly, do not use until rectified
- Always fasten the pelvic strap and any other straps provided
- The mobile base accessory is for indoor use ONLY
- Regularly check that straps or harnesses are not showing any signs of tearing or fraying and that they fasten correctly
- Ensure that all screws and handwheels are securely tightened and that none are missing.
- Always keep this product away from naked flames, cigarettes and sources of heat including open fireplaces, radiators, heaters
- The chair is ONLY to be used on a flat level surface
- DO NOT fit parts or accessories of other manufacturers to this product unless authorised to do so in writing by Smirthwaite Ltd. Failure to follow these instructions will not only invalidate the guarantee but could make the chair dangerous to use. Smirthwaite Ltd will not accept liability for any injury or damage incurred through such malpractices. Any repairs required must be carried out by Smirthwaite Ltd authorized personnel
- The Juni is CE marked. This certifies that it meets all relevant European safety requirements

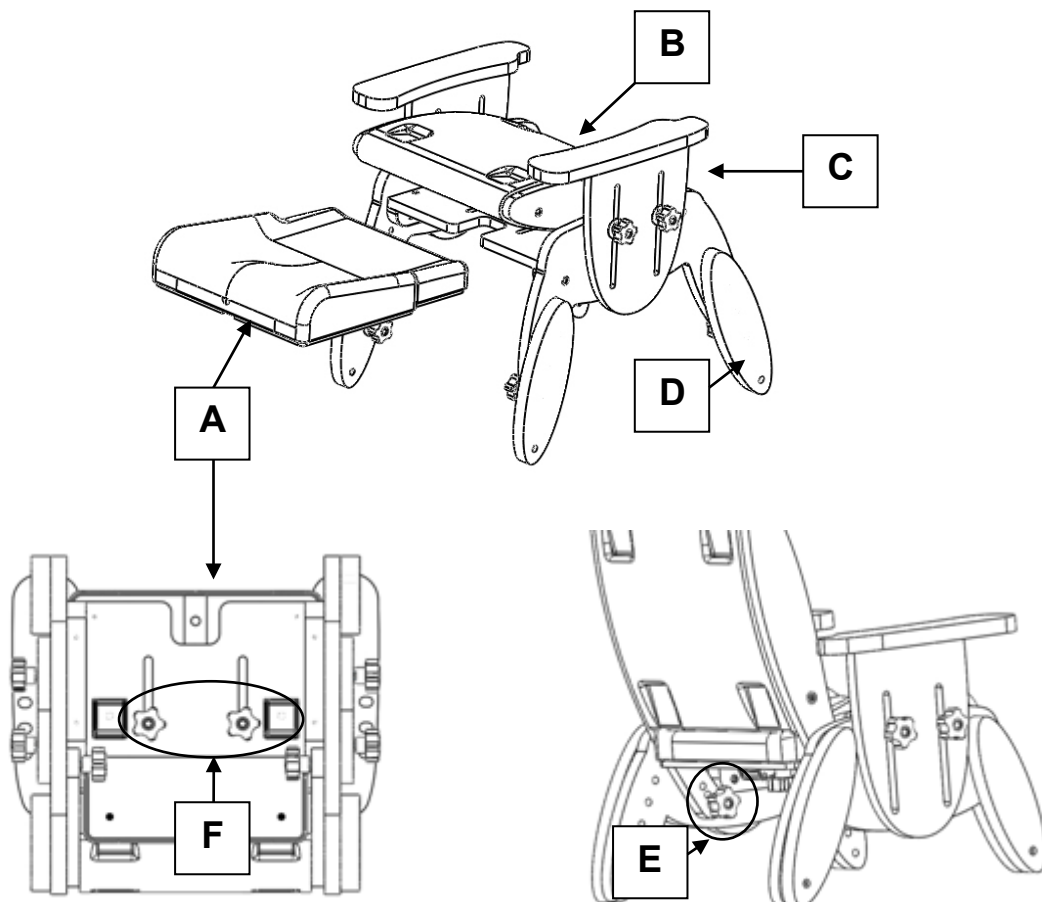
	STOP!
<p>LAP STRAPS & HARNESSSES SAFETY NOTICE</p> <p>Lap straps and harnesses must be appropriate and safe for the user and the users clothing.</p> <p>Lap straps and harnesses must be checked every time the chair is used to ensure they are fitted as prescribed by the clinician, take account of the users clothing and are tightened so that the user cannot sustain injury. Checking the fit of lap straps and harnesses must be done with the user in the chair and should be undertaken as soon as the users sits in the chair.</p>	

If you believe this product to be faulty -DO NOT USE-Contact Smirthwaite Ltd on T: +44 (0)1626 83552



4.0 UNPACKING AND ASSEMBLING YOUR CHAIR

- The Juni chair is supplied either fully assembled or in part assembled form, for the customer to undertake final assembly – see guide below. For a detailed guide refer to Section 5.
- A part assembled Juni is supplied with the seat cushion (A) removed and the back cushion fully rotated forward (B). The back cushion is held secure for transport by setting each armrest (C) in a low position once the back cushion has been rotated forward. Leg outriggers (D) are set to minimum height as standard.
- No tools are required to finalize assembly, simply use the handwheels and washers provided.
- Firstly, loosen the handwheels securing each armrest, and raise them to permit the back cushion to be rotated to vertical or slight rearward recline. Insert a handwheel and washer (E) in each chair side.
- Offer up the seat cushion (A) to the Juni chair and secure using two handwheels and washers (F) on the underside of the chair



5.0 SETTING UP AND ADJUSTING YOUR JUNI CHAIR



STOP!

If in any doubt, **ALWAYS** seek **ADVICE**

Always turn handwheels and screws clockwise to tighten or anti-clockwise to loosen. The chair must be fully adjusted by a therapist or trained representative before use.

A hexagon key is provided for adjustments.



IMPORTANT!

The chair should be fully adjusted to fit the child before use.

5.1 SEAT

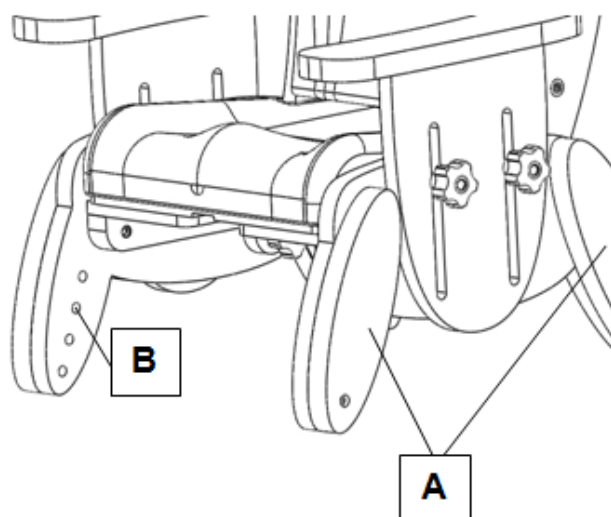
5.1.1 SEAT ADJUSTMENTS

Five adjustments can be made to the seat; height, depth, width, back recline and back lumbar support adjustment.

5.1.2 HEIGHT

To adjust seat height

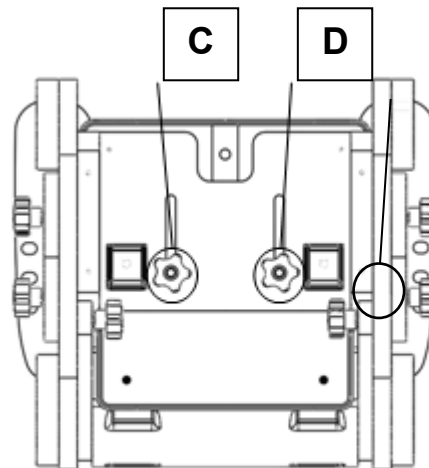
- Your Juni chair is fitted with four outrigger legs (A), permitting seat height adjustment
- To adjust, firstly lay the chair on its back
- For each outrigger, identify and remove the securing screw (M6 x 30) (B) to permit outrigger removal
- Position each outrigger leg to the desired height
- Insert and tighten each securing screw to affix leg outrigger in place
- Ensure all 4 legs are set to the same height



5.1.3 DEPTH

To adjust seat depth

- Loosen handwheels (C) and (D)
- Slide seat forwards or backward to desired position
- Tighten handwheels (C) and (D)



5.1.4 WIDTH

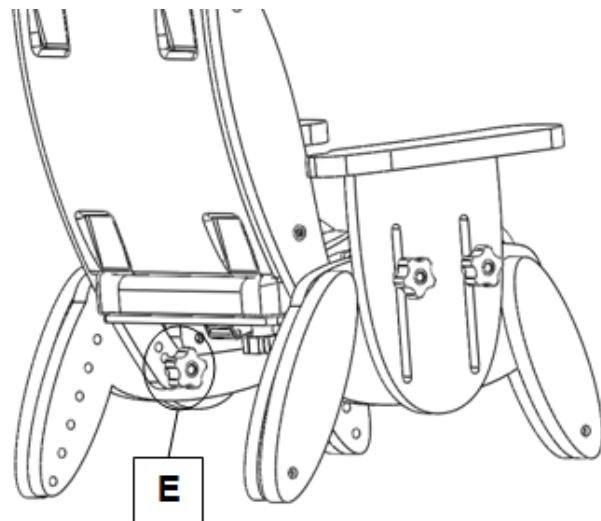
To reduce seat width or to provide additional support

- 25mm and 50mm width trunk support cushions can be supplied.
- Cushions are secured to the inside face of the arm rest wood, using the Velcro strips provided.

5.1.5 BACK RECLINE

To adjust seat back recline angle

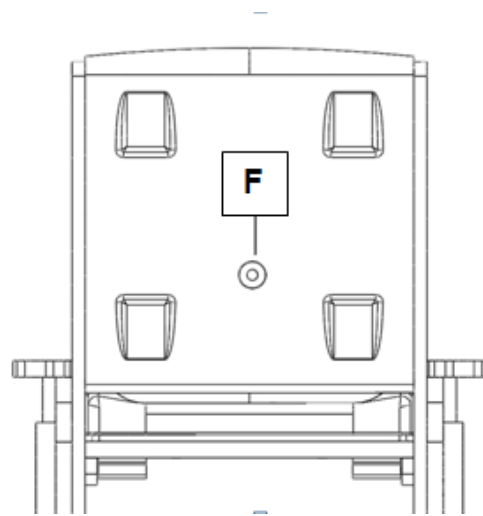
- Locate and remove the two handwheels securing the seat back recline angle (E)
- The Juni seat back can be reclined in steps of 5° from 95° through to 105°.
- When the desired back recline angle has been achieved, simply insert and tighten the two handwheels (E).



5.1.6 BACK LUMBAR PROMPT

To adjust seat back lumbar prompt

- To adjust the lumbar prompt, insert the hex head tool (as supplied) into rear of the Juni seat back (F), and rotate to achieve the desired amount of prompt.

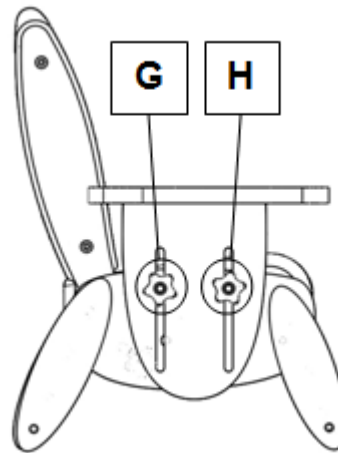


5.2 ADJUSTABLE ARMREST

5.2. 1 HEIGHT

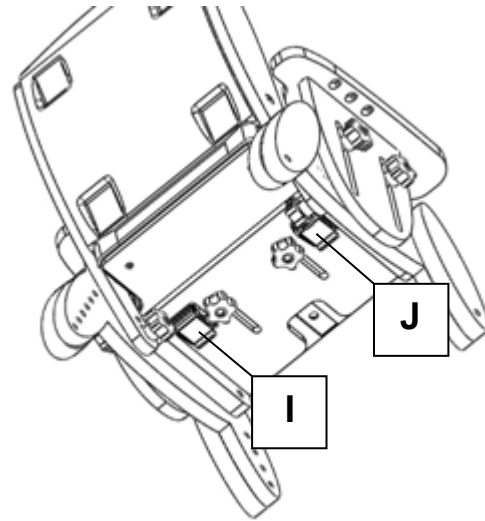
To adjust armrest height

- Loosen hand wheels and washers (G, H)
- Slide arm rest up or down to the desired position
- Tighten hand wheels (G, H)
- Repeat on opposite side of chair
- Ensure arm rests are at the same height and horizontal – this is particularly important if the chair is to be used with the tray accessory.



5.3 PELVIC STRAP

- The pelvic strap is secured to the seat by two cam-lock mechanisms, located under the seat base (I, J)
- To adjust the strap for growth, simply lift each cam-lock to release, adjust the strap appropriately and then close each cam-lock.



Buckle Strap (Standard)

- The buckle is secured by pushing the male plug into the female receiver
- To release the buckle, press both sides of the male plug
- The strap length can be altered by adjusting the tri-glide (as shown opposite)



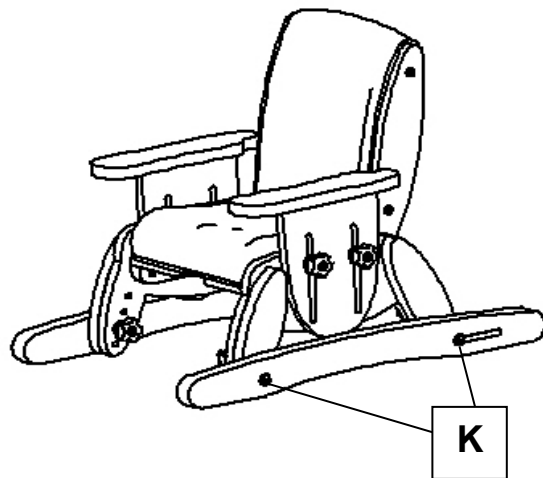
5.4 TRAY ACCESSORY

- Check armrests are set to the same height, and are securely tightened
- Slide the tray onto the armrests, to the desired position – the tray will automatically lock into position
- To remove tray, pull the quick release lever on the underside of the tray, and pull the tray forward
- Ensure the protective film on the tray is removed before use



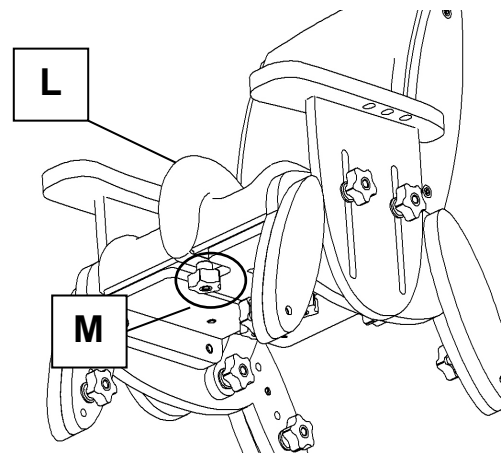
5.5 SKI ACCESSORY

- The static ski accessory is fixed to the Juni chair by 4 x M6 screws (K), which locate through each Juni chair outrigger.
- A slot is designed into the rear of each static ski, this facilitates ski fitment if height of chair is adjusted.
- Ensure the screws are tight at all times
- A variant of the Ski Accessory incorporating a footboard is available (Codes SK111 to SK114). Fitment is identical to the static ski.



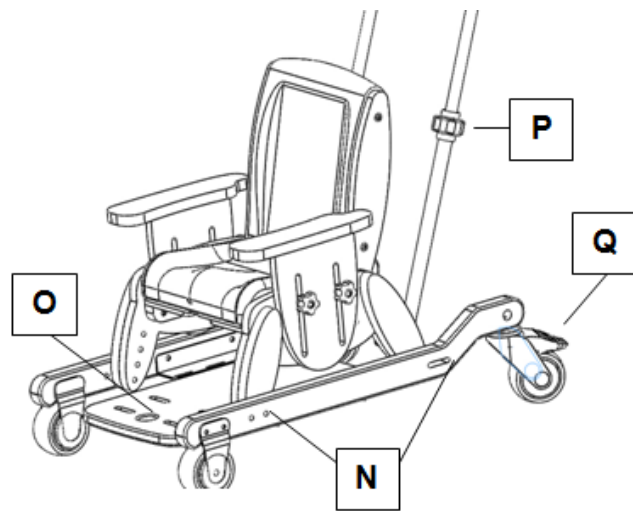
5.6 POMMEL ACCESSORY

- The Pommel accessory (L) slides over the front of the seat cushion and is fixed to the Juni using the supplied hand wheel (M)
- The Pommel can remain in place when the seat depth is adjusted.



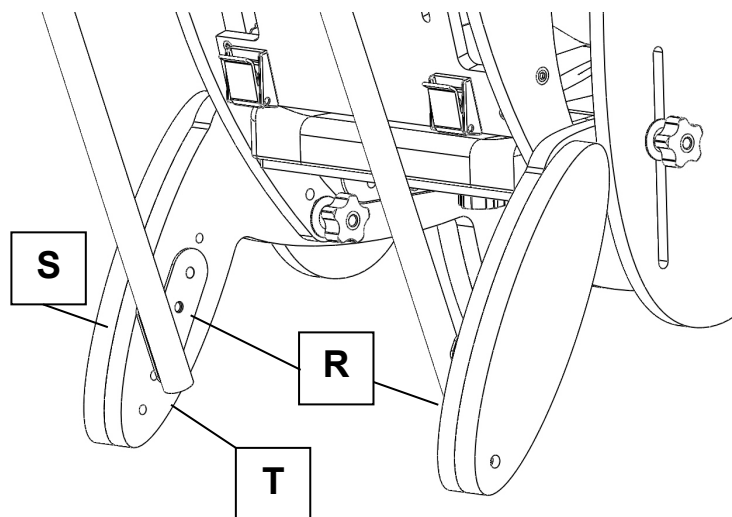
5.7 MOBILE BASE, RETRACTABLE FOOTBOARD AND HEIGHT ADJUSTABLE HANDLE ACCESSORIES

- The mobile base accessory is fixed to the Juni chair by 4 x M6 screws (N), which locate through each Juni chair outrigger
- The rear castors can be locked by applying pressure to the foot lever (Q) An adjustable height handle accessory is available, with soft grip. The height can be adjusted by unlocking clamps (P), adjust to the desired height, and then retightening the clamps (P)



- The Retractable footboard accessory permits easy transfer into the chair. To retract the footboard, simply press the Red button (O) and push the board rearwards

- The adjustable handle is secured to the inside face of the rear Juni legs.
- Remove the M6 screw (R) that fixes the out rigger (S) to the main leg assembly (T)
- Offer up the handle bracket, and re-insert the M6 screw (R), securing both the bracket and out rigger back into place

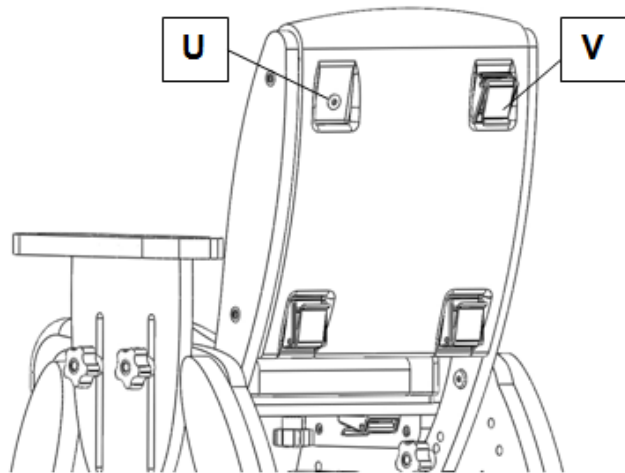


- Repeat for the second rear leg



5.8 FOUR POINT HARNESS ACCESSORY

- A four point harness is available as an accessory
- The rear of the Juni seat back has 4 recesses that are designed to locate fixing cam-locks for the four point harness
- Take a sharp implement and pierce each recess where the 'dimple' is visible on the surface (U)
- Offer up a cam-lock and using an M6 screw, fasten the cam-lock to the seat
- Repeat for the 3 remaining cam-locks (V)
- The 4 point harness can now be secured using the cam-locks.



5.9 FOOTBOARD RAISERS

- Footboard raisers are available for both the retractable footboard (codes DL111 to DL114) and the ski with footboard accessory (SK111 to SK114)
- Raisers are available in 12mm (RA049 to RA052) and 24mm thickness (RA045 to RA048)
- The raisers simply screw to the footboards with the screws provided.
- Raisers can be stacked together to increase the total raiser height.



6.0 CARE AND MAINTENANCE

All our wooden chairs are easy to clean. Each chair has anti-bacterial properties, ensuring that surfaces are kept hygienic to reduce any risk of cross infection.



IMPORTANT!

Cleaning is recommended on a regular basis

- Clean upholstery and wooden parts with a damp cloth and mild detergent
- Stubborn marks on the woodwork should be cleaned by using a soft brush
- Do not soak or immerse the chair in water
- The pelvic strap can be cleaned with a damp cloth. In cases of extreme soiling it can be machined washed at low temperature with mild detergent but must be drip dried
- Store the chair in a cool dry place out of direct sunlight
- DO NOT use bleach, solvents, abrasives, synthetic detergents, wax polishes, antibacterial sprays or wipes

For further information please refer to MHRA or your NHS cleaning guidelines

6.1 DAILY CHECKS

- Check the tray (if supplied) to ensure no parts are loose or damaged
- Check all upholstery for signs of wear and tear
- Check that the hand wheels tighten correctly, and are not cross-threaded or damaged
- Check all straps for fraying, and that buckles are not missing/damaged



STOP!

The user should not be seated while the checks are carried out.

6.2 SERVICE INTERVAL

The Juni chair should be serviced every 3 years. Servicing must only be undertaken by a Smirthwaite service engineer, or by a Smirthwaite trained representative.



6.3 NOMINAL SERVICE LIFE

Your product has a nominal service life of 12 years, during which full post-sales support will be available with regard to spares and servicing.

Product service life has been determined based upon the design complexity of product, and the anticipated exposure to normal use.

Good practice dictates all Smirthwaite products have been designed and manufactured to high levels of safety and quality, and will meet requirements of normal use when maintained in line with our servicing recommendations.



STOP!

If the product has been out of use for an extended period of time (6 months or more) it should always be serviced prior to being reissued.

If the product has been subjected to 'heavy' or 'constant' use, the service should be reduced to half the recommended period.

Constant and/or heavy use is considered to be:

- Daily use above 7 hours duration
- Weekly use above 5 days duration
- Monthly use above 10 months per year
- Use by a client who is at 90% to 100% of the maximum weight limit of the product. The maximum weight limit must **NEVER** be exceeded
- Use by a client who is extremely active, either voluntarily or involuntarily



6.4 EXTENDING NOMINAL SERVICE LIFE

At Smirthwaite we are proud to produce products that have a reputation for quality and durability.

We believe our products have the potential to provide benefits to our clients beyond the nominal service life documented above.

We will continue to provide full support beyond the nominal service life provided the following conditions are met:

1. A full service schedule has been maintained. (Please refer to Page 18)
2. A full service and inspection is undertaken at the end of the nominal service life period
3. The product is subsequently serviced annually (or biannually if under 'heavy/constant' use conditions)
4. Smirthwaite reserve the right to limit support where parts/components are no longer available

6.5 DOCUMENTATION/RECORDS

- It is the responsibility of the current equipment owner to ensure the 'Instructions for Use' manual and any further manuals for accessories fitted to the equipment are handed over to the new owner at the time of exchange/sale
- It is the responsibility of the current equipment owner to ensure the service and inspection record form is kept up to date

6.6 PRODUCT CONFIGURATION

- Smirthwaite will document and maintain a record of the original product configuration at the time of first sale
- Smirthwaite will not be held responsible for any subsequent changes to this configuration unless authorized to do so in writing by Smirthwaite Ltd
- It is the equipment owner's responsibility to maintain their own records of changes to the equipment configuration and to be able to provide such records to subsequent owners to maintain traceability
- We recommend an inspection/service by a Smirthwaite Service Engineer (or Smirthwaite trained engineer) whenever a significant change is made to product configuration to ensure the product is safe to use. **If in any doubt, ALWAYS seek ADVICE**





IMPORTANT REMINDER!

DO NOT fit parts or accessories of other manufacturers to this product unless authorized to do so in writing by Smirthwaite Ltd.

Any servicing or repairs required must be carried out by Smirthwaite Ltd (or a Smirthwaite trained engineer).

If you believe this product to be faulty – DO NOT USE – Contact Smirthwaite Ltd on T: +44 (0) 1626 835552

If in any doubt, ALWAYS seek ADVICE.

7.0 WARRANTY & SERVICE

Smirthwaite Ltd warrants the products detailed on your order to be free from defects in materials and workmanship for a period of 2 years from date of delivery. If a fault develops during the period, please call Customer Services by email or telephone 01626 835552 who will advise you on the best course of action. Possible action may be for us to arrange to send out one of our Service Engineers, or have the goods returned to us. Should a repair not be possible within the guarantee period we will replace the product for new or nearest equivalent product. In the unlikely event that we cannot repair or exchange we will refund in full.

This warranty is for the UK only. The warranty excludes faults due to accident, neglect, misuse, not following the Instructions and normal wear and tear. This warranty is in addition to your legal rights. Goods will only be collected from the original delivery address.

A charge may be made where the goods cannot be repaired under the terms of the warranty. You will be advised before this is made.

T: +44 (0)1626 835552 E: info@smirthwaite.co.uk

8.0 CONTINUOUS IMPROVEMENT

Smirthwaite Ltd are committed to continuous improvement to their product range.

Should you have any suggestions or comments please send them to our product design department at: info@smirthwaite.co.uk

Smirthwaite Ltd reserve the right to change the specification or material without prior notice.

For catalogues, help and further information on our products please contact us at:

Smirthwaite Ltd

16 Wentworth Road

Heathfield

Newton Abbot

Devon

TQ12 6TL

T: +44 (0)1626 835552

F: +44 (0)1626 835428

E: info@smirthwaite.co.uk



9.0 SERVICE INSPECTION

9.1 Product Information

Model:	
Size:	
Date of Manufacture:	
Serial Number:	
Final Inspection:	

9.2 Service & inspection record form:

Date	Procedure	Service Personnel



2.JUNI BOOSTER

INSTRUCTIONS FOR USE

Hi Booster Codes: JB112, JB122, JB212, JB222, JB312, JB322, JB412, JB422

Lo Booster Codes: JB111, JB121, JB211, JB221, JB311, JB321 JB411, JB421



CONTENTS	PAGE
1.0 INTRODUCTION	20
2.0 ILLUSTRATION & TECHNICAL DATA	21
3.0 FOR YOUR SAFETY	22
4.0 UNPACKING AND ASSEMBLING YOUR JUNI BOOSTER	23
5.0 SETTING UP AND ADJUSTING YOUR JUNI BOOSTER	24
6.0 CARE & MAINTENANCE	30
7.0 WARRANTY & SERVICE	33
8.0 CONTINUOUS IMPROVEMENT	33
9.0 SERVICE INSPECTION	34

1.0 INTRODUCTION

Thank you for choosing the Smirthwaite Juni Booster product.

The Juni Booster has been designed to provide a quick and simple way to achieve extra height for your child.

The Hi Booster is perfect for a breakfast bar or feeding your child whilst standing.

The Lo Booster has been designed to enable a child to be included at the dinner table during mealtimes.



IMPORTANT!

These instructions should be read by all therapists and carers using the equipment and should be retained for future reference. The product should always be used under adult supervision.

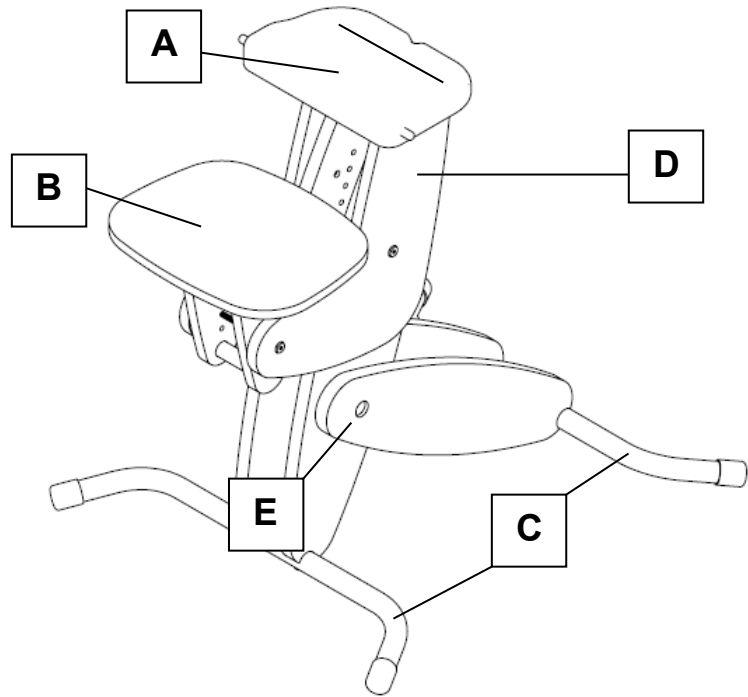
Any incorrect use of the product and failure to follow the instructions may put the user at risk or impede the function. If you have any queries using this product or wish for further copies, please do not hesitate to contact Customer Service department on T: +44 (0) 1626 835552.

This product has been designed and manufactured specifically and solely for use by clients with special needs.



2.0 ILLUSTRATION OF YOUR JUNI BOOSTER

- A. Seat interface plate
- B. Footplate
- C. Metal Legs
- D. Head assembly
- E. Button to fold



2.1 TECHNICAL DATA

all dimensions in mm unless otherwise stated

Size	1	2	3	4
Height	160-220	200-280	240-340	300-400
Width	240	280	325	365
Depth	180-240	220-300	260-360	320-420
Back height	260	290	325	400
Back angle [°]	95/100/105	95/100/105	95/100/105	95/100/105
Weight limit [kg]	30	40	50	60
Colour options		Codes		
Red	16011	16012	16013	16014
Lime	16021	16022	16023	16024
Blue	16031	16032	16033	16034



3.0 FOR YOUR SAFETY



STOP!

Please read these instructions CAREFULLY and THOROUGHLY.

- The user should **NOT** be left unattended whilst in the product. Always ensure a responsible therapist or carer is in attendance.
- The carer should be familiar with the methods of adjustment and have completed all adjustments appropriately to meet the needs of the child before transferring the child onto the product.
- Regular maintenance checks and cleaning are essential for the safe use of this equipment (see care and maintenance section).
- Ensure that all nuts, bolts and hand wheels are securely tightened and that none are missing.
- The Booster is **ONLY** to be used indoors on a flat level surface.
- Always fasten the 5 Point Harness and any other straps provided with the product or matching Juni Chair.
- Always keep this product away from naked flames, cigarettes and sources of heat including open fireplaces, radiators and heaters.
- **DO NOT** fit parts or accessories of other manufacturers to this product unless authorized to do so in writing by Smirthwaite Ltd. Failure to follow these instructions will not only invalidate the guarantee but could make the product dangerous to use. Smirthwaite Ltd will not accept liability for any injury or damage incurred through such malpractices.
- Any repairs required must be carried out by Smirthwaite Ltd authorized personnel.
- If you believe the product or any fitted accessory to be faulty at any time, **DO NOT USE** – contact Smirthwaite by telephone on +44 (0) 1626 835552.



4.0 UNPACKING AND ASSEMBLING YOUR JUNI BOOSTER

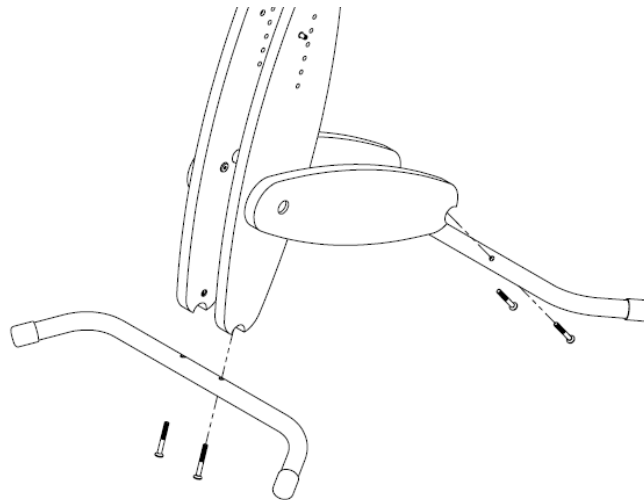


STOP!

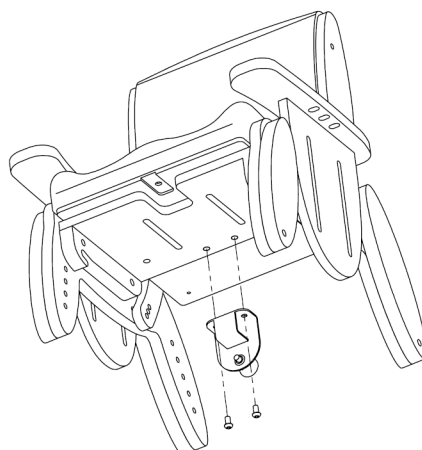
If in any doubt, ALWAYS seek ADVICE.

Always turn hand wheels, levers and screws clockwise to tighten or anti-clockwise to loosen.

- When delivered, the product will be supplied fully assembled except for the attachment of the front and rear metal legs.
- To complete the Booster assembly, simply offer up the metal legs to the Booster and insert 4 x M6x50 screws, as shown below.



- The seat bracket provided should be fixed to the rear underside of your Juni Chair as shown below by inserting 2 x M6x12 screws.
- Ensure all screws are tightened before use.



STOP!

If you believe this product to be faulty – DO NOT USE – Contact Smirthwaite Ltd on T: +44 (0) 1626 835552



6.0 SETTING UP AND ADJUSTING YOUR JUNI BOOSTER



STOP!

If in any doubt, **ALWAYS** seek **ADVICE**.

Always turn hand wheels, levers and screws clockwise to tighten or anti-clockwise to loosen.

5.1 ADJUSTMENTS

Two adjustments can be made to the Juni Booster; chair height and footplate height.

5.1.1 CHAIR HEIGHT

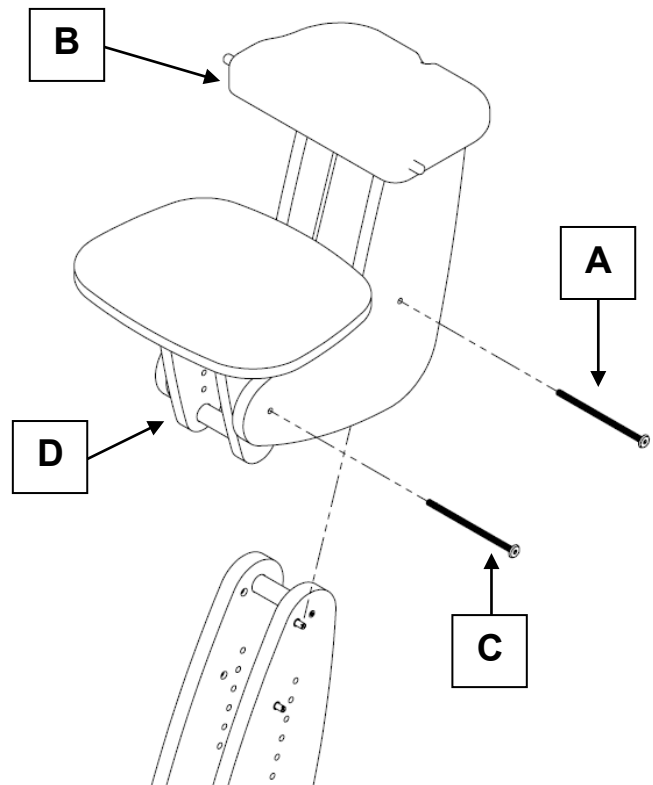
To raise or lower the Juni chair height when attached to the Booster:

- Remove screw (A) and slide the head assembly (B) to the desired height before re-inserting and tightening screw (A).

5.1.2 FOOTPLATE HEIGHT

To raise or lower the footplate once attached to the Juni Booster:

- Remove screw (C) and slide the footplate assembly (D) to the desired height before re-inserting and tightening screw (C).



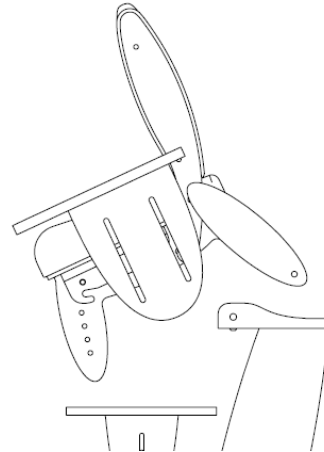
5.2 ATTACHING YOUR JUNI CHAIR TO YOUR JUNI BOOSTER



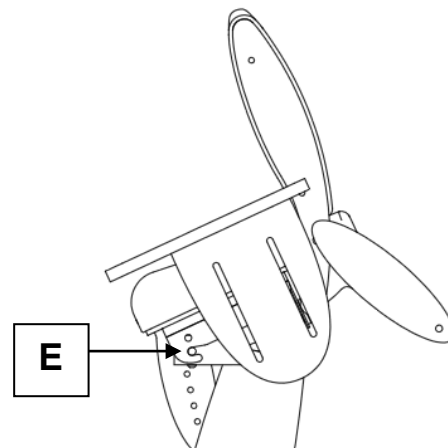
STOP!

NEVER undertake these steps with a child in the Juni Chair

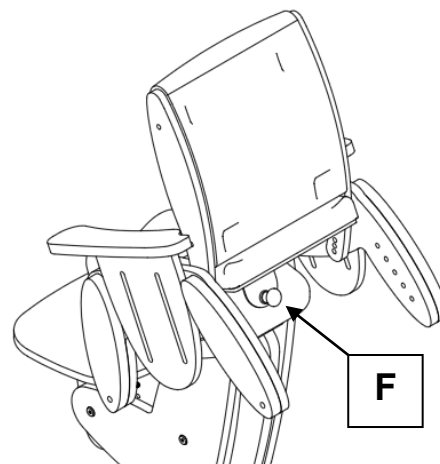
- Offer up the Juni chair to the seat interface plate as shown opposite



- The chair seat batten should hook over two metal pins (E) on the seat interface plate (one each side).
- Double check the metal pins are both engaged into the chair battens before proceeding further



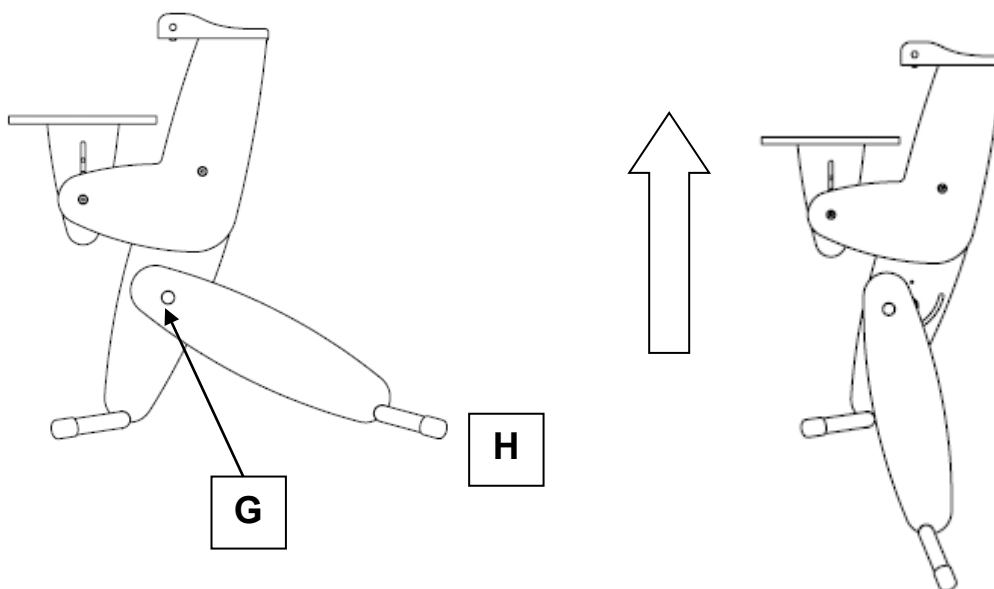
- Rotate the chair to the horizontal, and ensure the safety catch (F) clicks/locks onto the Juni Booster seat interface plate.
- Double check engagement by trying to remove the chair; it should **NOT** be possible to remove the chair without firstly pulling safety catch (F) to release



5.3 FOLDING THE JUNI BOOSTER

The Juni Booster can be folded to aid storage and transport.

- Do **NOT** attempt to fold the Juni Booster while a Juni chair is attached.
- Locate and depress the red button (G) on the main booster leg.
- Lightly place one foot on the rear metal tubular leg (H)
- Lift vertically as shown.
- The Juni Booster will now fold
- The red button (G) will remain depressed during the folding process and whilst folded.
- The red button (G) will 'pop' out flush when the Juni Booster is unfolded and the mechanism is locked – **ALWAYS** ensure the mechanism is locked before attaching the Juni chair.



5.4 FIVE POINT HARNESS



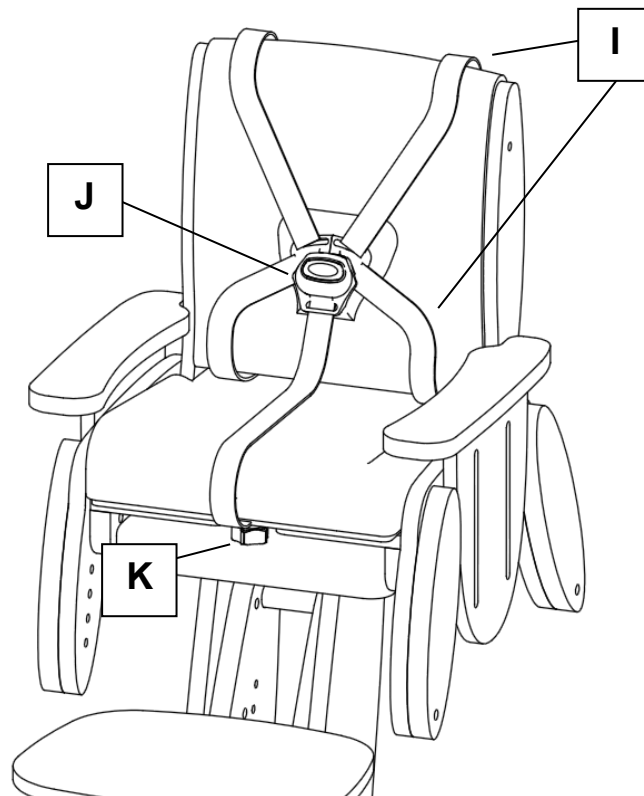
STOP!

We **STRONGLY** recommend the use of the supplied Five Point Harness at all times when attaching a Juni Chair to a Juni Booster

Each Juni Booster comes complete with a padded five-point buckle harness.

This should be attached to the Juni Chair that is intended for use with the Juni Booster.

5.4.1 ILLUSTRATION OF THE FIVE POINT HARNESS



I.Rear straps (x4)

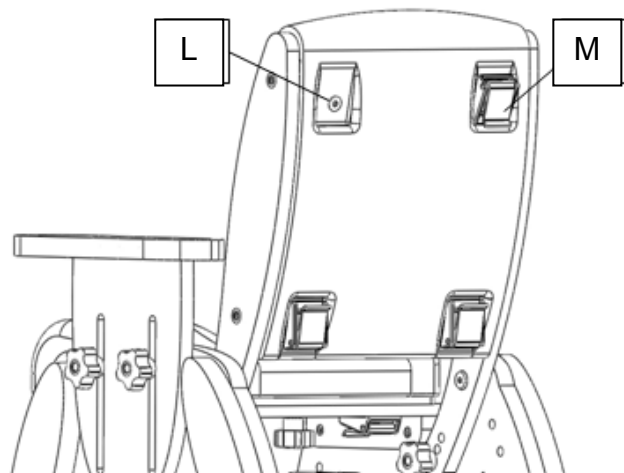
J.Central Buckle

K. Handwheel for central strap.

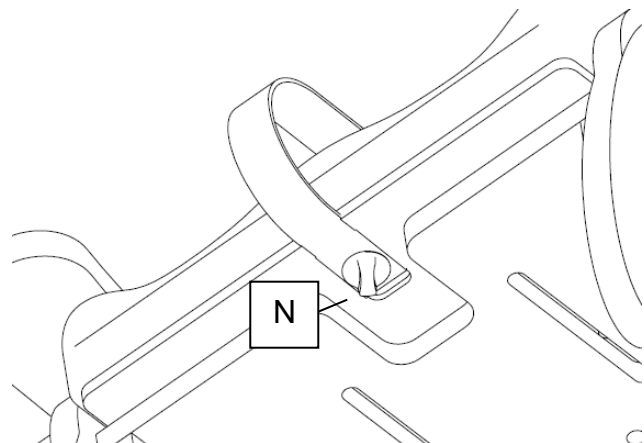


5.4.2 FITTING THE FIVE POINT HARNESS

- The rear of the Juni seat back has 4 recesses that are designed to locate fixing cam-locks for the five point harness
- Take a sharp implement and pierce each recess where the 'dimple' is visible on the surface (L)
- Offer up a cam-lock and using an M6 screw, fasten the cam-lock to the seat



- Repeat for the 3 remaining cam-locks (M)
- The 4 Rear straps can now be fed through the cam-locks and secured
- The central strap is secured on the underside of the Juni seat (as shown opposite)
- Use the M6 x 20 White winged handwheel provided to secure the central strap into place (N)
- Several eyelets are available in the strap – pick the most appropriate for the client



- Once all straps are fitted, adjust to suit the specific needs of your client



STOP!

The Five Point harness should replace all other harnesses supplied with the Juni Chair when used with the Juni Booster.



5.4.3 USING THE FIVE POINT HARNESS

- The central strap (secured to the underside of the Juni chair) should remain fitted at all times.
- To fasten the harness, take each shoulder strap and group together before simply clicking into the buckle.
- To release, simply press the red button on the buckle.



IMPORTANT!

In the unlikely event that the buckle becomes damaged and does not release when the red button is pressed, it is possible to remove the client quickly from the Juni chair by releasing/unlocking the cam-locks at the rear of the chair.



STOP!

LAP STRAPS & HARNESES SAFETY NOTICE

Lap straps and harnesses must be appropriate and safe for the user and the users clothing.

Lap straps and harnesses must be checked every time the chair is used to ensure they are fitted as prescribed by the clinician, take account of the users clothing and are tightened so that the user cannot sustain injury.

Checking the fit of lap straps and harnesses must be done with the user in the chair and should be undertaken as soon as the users sits in the chair.



6.0 CARE AND MAINTENANCE



IMPORTANT!

CLEANING IS RECOMMENDED ON A REGULAR BASIS

- Clean wooden and metal parts with a damp cloth and mild detergent.
- Stubborn marks on the woodwork should be cleaned using a soft brush.
- Do not soak or immerse the product in water.
- The Five Point Harness can be cleaned with a damp cloth. In cases of extreme soiling it can be machined washed at low temperature with mild detergent but must be drip-dried.
- Store the product in a cool dry place and out of direct sunlight.
- DO NOT use bleach, solvents, abrasives, synthetic detergents, wax polishes, antibacterial sprays or wipes.
- For further information please refer to MHRA or your NHS cleaning guidelines.

6.1 DAILY CHECKS

- Check for signs of wear, tear or damage.
- Check for missing parts.
- Check that all screws are present and tighten correctly, and are not cross-threaded or damaged.
- Check all straps for fraying, and that buckles are not missing/damaged.
- Always check the Juni Chair can be securely fixed to the Juni Booster **before** sitting a child into the chair. Check the fixing pins are present and secure on the seat interface plate, and that the rear safety catch operates correctly.

6.2 SERVICE INTERVAL

The Juni Booster should be serviced every 3 years. Servicing must only be undertaken by a Smirthwaite service engineer, or by a Smirthwaite trained representative.



6.3 NOMINAL SERVICE LIFE

Your product has a nominal service life of 12 years, during which full post-sales support will be available with regard to spares and servicing.

Product service life has been determined based upon the design complexity of product, and the anticipated exposure to normal use.

Good practice dictates all Smirthwaite products have been designed and manufactured to high levels of safety and quality, and will meet requirements of normal use when maintained in line with our servicing recommendations.



STOP!

If the product has been out of use for an extended period of time (6 months or more) it should always be serviced prior to being reissued.

If the product has been subjected to 'heavy' or 'constant' use, the service should be reduced to half the recommended period.

Constant and/or heavy use is considered to be:

- Daily use above 7 hours duration
- Weekly use above 5 days duration
- Monthly use above 10 months per year
- Use by a client who is at 90% to 100% of the maximum weight limit of the product. The maximum weight limit must **NEVER** be exceeded
- Use by a client who is extremely active, either voluntarily or involuntarily



6.4 EXTENDING NOMINAL SERVICE LIFE

At Smirthwaite we are proud to produce products that have a reputation for quality and durability.

We believe our products have the potential to provide benefits to our clients beyond the nominal service life documented above.

We will continue to provide full support beyond the nominal service life provided the following conditions are met:

5. A full service schedule has been maintained. (Please refer to Page 17)
6. A full service and inspection is undertaken at the end of the nominal service life period
7. The product is subsequently serviced annually (or biannually if under 'heavy/constant' use conditions)
8. Smirthwaite reserve the right to limit support where parts/components are no longer available

6.5 DOCUMENTATION/RECORDS

- It is the responsibility of the current equipment owner to ensure the 'Instructions for Use' manual and any further manuals for accessories fitted to the equipment are handed over to the new owner at the time of exchange/sale
- It is the responsibility of the current equipment owner to ensure the service and inspection record form is kept up to date

6.6 PRODUCT CONFIGURATION

- Smirthwaite will document and maintain a record of the original product configuration at the time of first sale
- Smirthwaite will not be held responsible for any subsequent changes to this configuration unless authorized to do so in writing by Smirthwaite Ltd
- It is the equipment owner's responsibility to maintain their own records of changes to the equipment configuration and to be able to provide such records to subsequent owners to maintain traceability
- We recommend an inspection/service by a Smirthwaite Service Engineer (or Smirthwaite trained engineer) whenever a significant change is made to product configuration to ensure the product is safe to use. **If in any doubt, ALWAYS seek ADVICE**





IMPORTANT REMINDER!

DO NOT fit parts or accessories of other manufacturers to this product unless authorized to do so in writing by Smirthwaite Ltd.

Any servicing or repairs required must be carried out by Smirthwaite Ltd (or a Smirthwaite trained engineer).

If you believe this product to be faulty – DO NOT USE – Contact Smirthwaite Ltd on T: +44 (0) 1626 835552

If in any doubt, ALWAYS seek ADVICE.

7.0 WARRANTY & SERVICE

Smirthwaite Ltd warrants the products detailed on your order to be free from defects in materials and workmanship for a period of 2 years from date of delivery. If a fault develops during the period, please call Customer Services by email or telephone 01626 835552 who will advise you on the best course of action. Possible action may be for us to arrange to send out one of our Service Engineers, or have the goods returned to us. Should a repair not be possible within the guarantee period we will replace the product for new or nearest equivalent product. In the unlikely event that we cannot repair or exchange we will refund in full.

This warranty is for the UK only. The warranty excludes faults due to accident, neglect, misuse, not following the Instructions and normal wear and tear. This warranty is in addition to your legal rights. Goods will only be collected from the original delivery address.

A charge may be made where the goods cannot be repaired under the terms of the warranty. You will be advised before this is made.

T: +44 (0)1626 835552 E: info@smirthwaite.co.uk

8.0 CONTINUOUS IMPROVEMENT

Smirthwaite Ltd are committed to continuous improvement to their product range. Should you have any suggestions or comments please send them to our product design department at: info@smirthwaite.co.uk

Smirthwaite Ltd reserve the right to change the specification or material without prior notice.

For catalogues, help and further information on our products please contact us at:

Smirthwaite Ltd

16 Wentworth Road

Heathfield

Devon.TQ12 6TL

T: +44 (0) 1626 835552

F: +44 (0) 1626 835428

E: info@smirthwaite.co.uk

W: www.smirthwaite.co.uk



9.0 SERVICE INSPECTION

9.1 Product Information

Model:	
Size:	
Date of Manufacture:	
Serial Number:	
Final Inspection:	

9.2 Service & inspection record form:

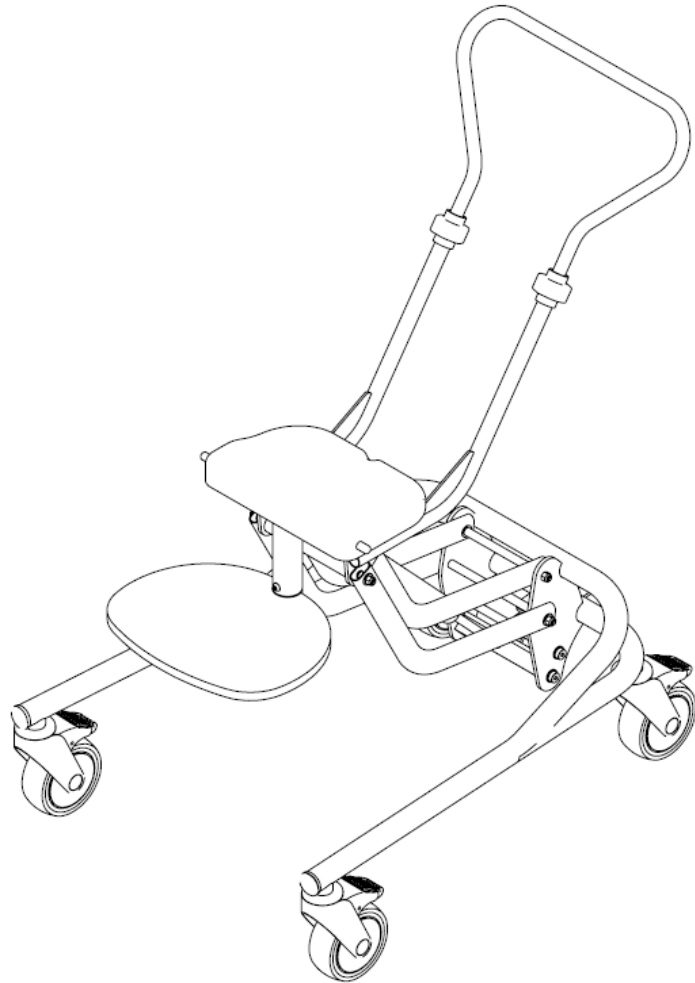
Date	Procedure	Service Personnel



3. JUNI HI LO

INSTRUCTIONS FOR USE

Codes HL111-HL142



CONTENTS	PAGE
1.0 INTRODUCTION	36
2.0 ILLUSTRATION & TECHNICAL DATA	37
3.0 FOR YOUR SAFETY	38
4.0 UNPACKING AND ASSEMBLING YOUR JUNI HI LO	39
5.0 SETTING UP AND ADJUSTING YOUR JUNI HI LO	40
6.0 CARE & MAINTENANCE	43
7.0 WARRANTY & SERVICE	44
8.0 CONTINUOUS IMPROVEMENT	44
9.0 SERVICE INSPECITON	45

1.0 INTRODUCTION

Thank you for choosing the Smirthwaite Juni Hi Lo product.

The Juni Hi Lo chassis has been designed to provide a quick and simple way to achieve extra height for your child when seated in his or her Juni chair.

By depressing the simple foot pedal, the Juni chair seat height can be adjusted across its range from floor level to maximum height. At its minimum setting, the footplate is flat to the floor, enabling transfer in and out of the chair. At its maximum setting the Juni chair is positioned at a height ideal for inclusion in activities such as feeding and learning in both home and school environments.



IMPORTANT!

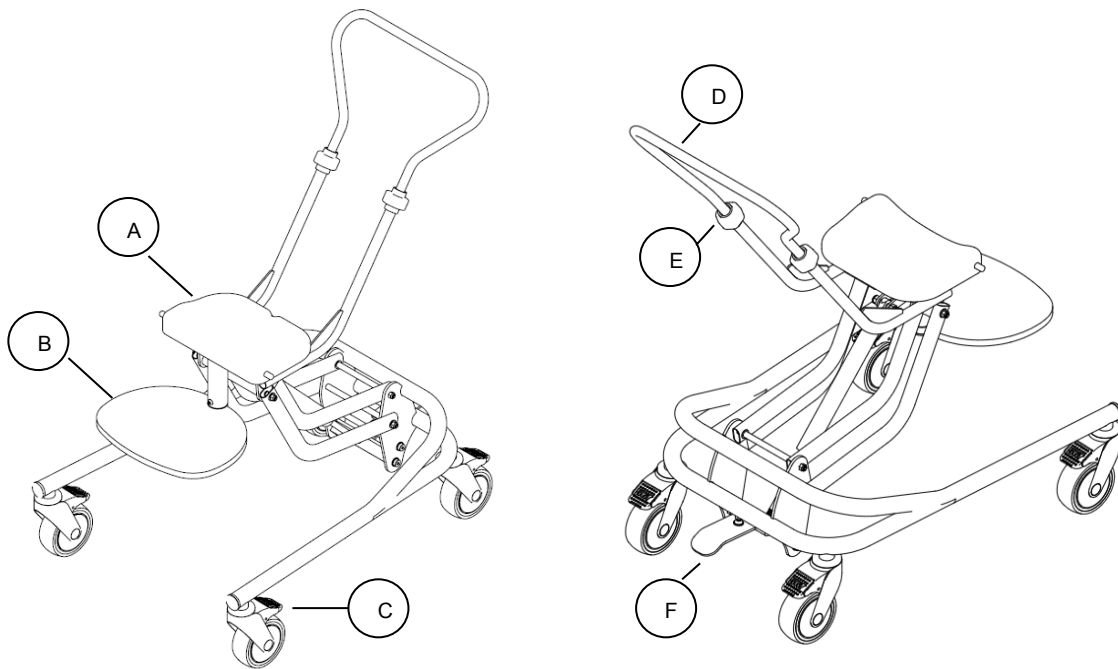
These instructions should be read by all therapists and carers using the equipment and should be retained for future reference. The product should always be used under adult supervision.

Any incorrect use of the product and failure to follow the instructions may put the user at risk or impede the function. If you have any queries using this product or wish for further copies, please do not hesitate to contact Customer Service department on T: +44 (0) 1626 835552.

This product has been designed and manufactured specifically and solely for use by clients with special needs.



2.0 ILLUSTRATION OF YOUR JUNI HI LO



- A. Seat interface plate
- B. Height adjustable footplate
- C. Castors, with brakes

- D. Push handle
- E. Grip locks
- F. Foot pedal for height adjustment

2.1 PRODUCT CODES REFERENCE TABLE

Size/Colour	Red	Lime	Blue	Natural wood
1	HL111	HL121	HL131	HL141
2	HL112	HL122	HL132	HL142

2.2 TECHNICAL DATA

SIZE	1		2	
	Min	Max	Min	Max
Seat height from floor (mm)	160	570	200	570
Lower leg length to footrest (mm)	160	220	200	280
Push handle height (mm)	500	1000	500	1000
Base length and width (mm)	650 x 520		650 x 520	
User weight limit (kg)	30		40	
Overall product weight (kg)	10.5		10.5	



3.0 FOR YOUR SAFETY



STOP!

Please read these instructions CAREFULLY and THOROUGHLY.

- The user should **NOT** be left unattended whilst in the product. Always ensure a responsible therapist or carer is in attendance
- The carer should be familiar with the methods of adjustment and have completed all adjustments appropriately to meet the needs of the child before transferring the child onto the product
- Regular maintenance checks and cleaning are essential for the safe use of this equipment (see care and maintenance section)
- Ensure that all nuts, bolts and hand wheels are securely tightened and that none are missing
- The Hi Lo chassis is **ONLY** to be used indoors on a flat level surface
- **ONLY** adjust the seat height with all 4 castor brakes applied
- The footplate/rest should **NOT** be used as a transfer step – always lower the footplate to floor level to transfer.
- Always fasten the lap strap harness and any other straps provided with the product or matching Juni Chair
- Always keep this product away from naked flames, cigarettes and sources of heat including open fireplaces, radiators and heaters
- **DO NOT** fit parts or accessories of other manufacturers to this product unless authorized to do so in writing by Smirthwaite Ltd. Failure to follow these instructions will not only invalidate the guarantee but could make the product dangerous to use. Smirthwaite Ltd will not accept liability for any injury or damage incurred through such malpractices
- Any repairs required must be carried out by Smirthwaite Ltd authorized personnel
- If you believe the product or any fitted accessory to be faulty at any time, **DO NOT USE** – contact Smirthwaite by telephone on +44 (0) 1626 835552.



4.0 UNPACKING AND ASSEMBLING YOUR JUNI HI LO

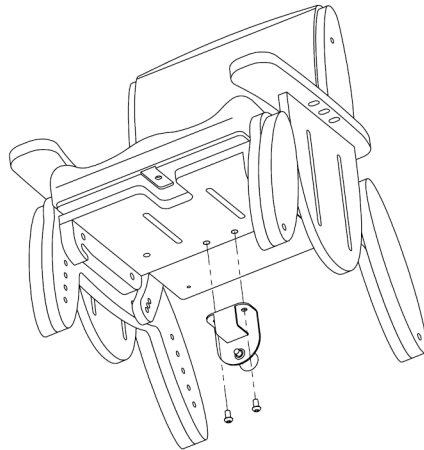


STOP!

If in any doubt, **ALWAYS** seek **ADVICE**.

Always turn hand wheels, levers and screws clockwise to tighten or anti-clockwise to loosen.

- When delivered, the product will be supplied fully assembled, with the exception of the fitment of the seat bracket to your existing Juni Size 1 or Size 2 chair.
- The seat bracket provided should be fixed to the rear underside of your Juni Chair as shown below by inserting 2 x M6x12 screws (supplied).
- Ensure all screws are tightened before use.



STOP!

If you believe this product to be faulty – **DO NOT USE** – Contact Smirthwaite Ltd on T: +44 (0) 1626 835552



5.0 SETTING UP AND ADJUSTING YOUR JUNI HI LO



STOP!

If in any doubt, **ALWAYS** seek **ADVICE**.

Always turn hand wheels, levers and screws clockwise to tighten or anti-clockwise to loosen.

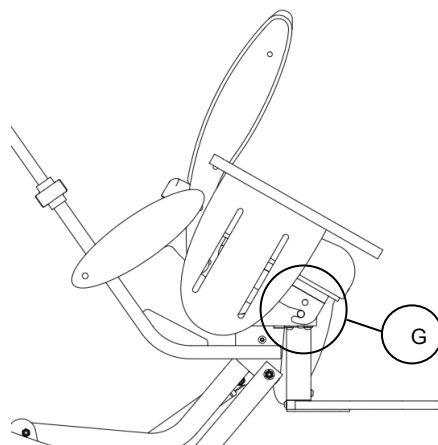
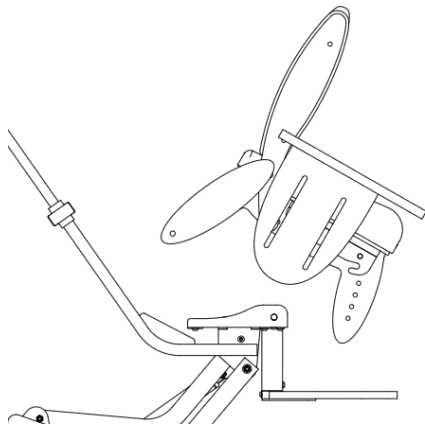
5.1 ATTACHING YOUR JUNI CHAIR TO YOUR JUNI HI LO



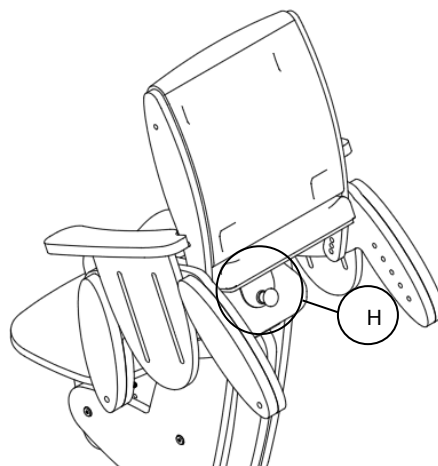
STOP!

NEVER undertake these steps with a child in the Juni Chair

- Offer up the Juni chair to the seat interface plate as shown below
- The chair seat batten should hook over two metal pins (G) on the seat interface plate (one each side).

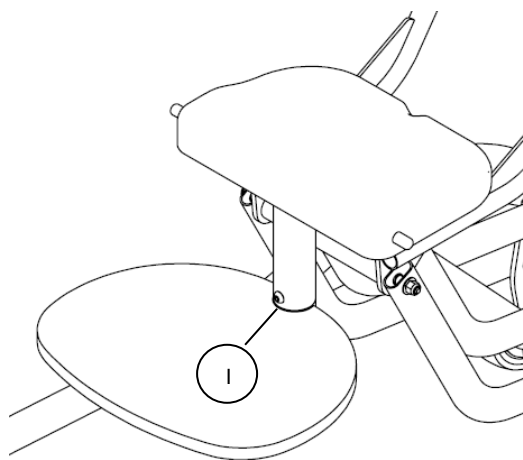


- Double check the metal pins are both engaged into the chair battens before proceeding further
- Rotate the chair to the horizontal, and ensure the safety catch (H) clicks/locks onto the Juni Hi Lo seat interface plate.
- Double check engagement by trying to remove the chair; it should **NOT** be possible to remove the chair without firstly pulling safety catch (H) to release

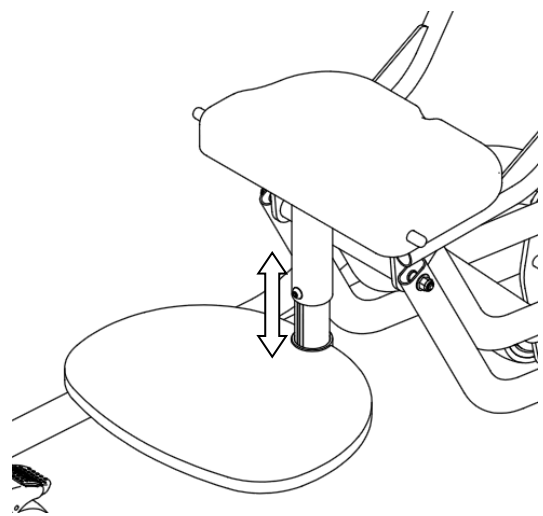


5.2 ADJUSTING THE FOOTPLATE HEIGHT

- The footplate height can be adjusted to suit your client's needs.
- Locate and loosen the button head screw (I) using the hex driver provided.
- While loose, the footplate can be raised or lowered to the desired height setting
- Retighten the button head screw (I) when finished.
- Ensure the screw is fully tightened before use
- The footplate should **NOT** be used as a transfer step – always lower the height of the Juni Hi-Lo to floor level before transferring your client onto the seat.



Foot plate at minimum setting

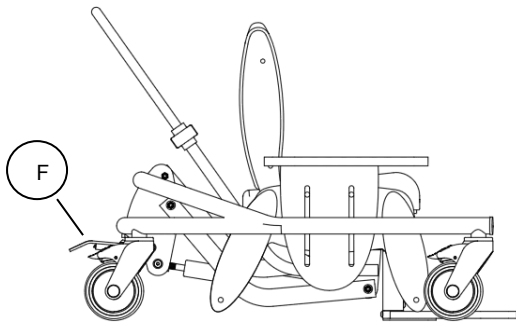


Foot plate at maximum setting

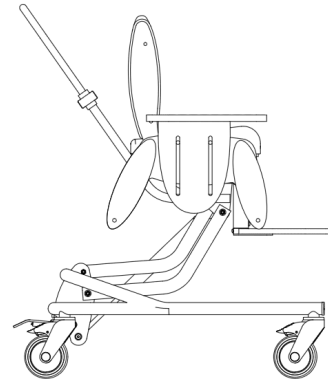
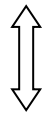
5.3 ADJUSTING THE SEAT HEIGHT

- The seat height can be adjusted to suit your client's needs.
- **We advise that the seat height is adjusted with all 4 castor brakes applied.**
- Hold the push handle, then locate and depress the foot pedal (F) at the rear of the chassis.
- While the foot pedal is depressed, the seat can be raised or lowered to the desired height setting.
- Release the foot pedal to lock the seat at the height setting.
- The foot pedal can be retracted (for security/storage), by simply rotating through 90° when not in use – it is possible to do this with your tip of your shoe.





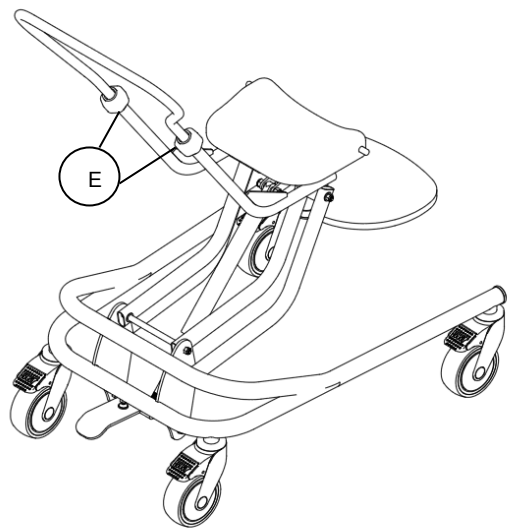
Seat at lowest setting



Seat at highest setting

5.4 ADJUSTING THE PUSH HANDLE HEIGHT

- The push handle height can be adjusted to suit the carer's requirement for comfort and use.
- To adjust, firstly locate and loosen the grip locks (E)
- Lift or lower the handle to the desired height.
- To lock into position, retighten the grip locks (E)



6.0 CARE AND MAINTENANCE



IMPORTANT!

CLEANING IS RECOMMENDED ON A REGULAR BASIS

- Clean wooden and metal parts with a damp cloth and mild detergent.
- Stubborn marks on the woodwork should be cleaned using a soft brush.
- Do not soak or immerse the product in water.
- Store the product in a cool dry place and out of direct sunlight.
- DO NOT use bleach, solvents, abrasives, synthetic detergents, wax polishes, antibacterial sprays or wipes.
- For further information please refer to MHRA or your NHS cleaning guidelines.

6.1 DAILY CHECKS

- Check for signs of wear, tear or damage.
- Check for missing parts.
- Check that all screws are present and tighten correctly, and are not cross-threaded or damaged.
- Check all straps for fraying, and that buckles are not missing/damaged.
- Check the brakes on each castor operate correctly.
- Always check the Juni Chair can be securely fixed to the Juni Hi Lo chassis **before** sitting a child into the chair. Check the fixing pins are present and secure on the seat interface plate, and that the rear safety catch operates correctly.

6.2 SERVICE INTERVAL

The Juni Hi Lo chassis should be serviced every 3 years. Servicing must only be undertaken by a Smirthwaite service engineer, or by a Smirthwaite trained representative.



6.3 NOMINAL SERVICE LIFE

Your product has a nominal service life of 12 years, during which full post-sales support will be available with regard to spares and servicing.

Product service life has been determined based upon the design complexity of product, and the anticipated exposure to normal use.

Good practice dictates all Smirthwaite products have been designed and manufactured to high levels of safety and quality, and will meet requirements of normal use when maintained in line with our servicing recommendations.



STOP!

If the product has been out of use for an extended period of time (6 months or more) it should always be serviced prior to being reissued.

If the product has been subjected to 'heavy' or 'constant' use, the service should be reduced to half the recommended period.

Constant and/or heavy use is considered to be:

- Daily use above 7 hours duration
- Weekly use above 5 days duration
- Monthly use above 10 months per year
- Use by a client who is at 90% to 100% of the maximum weight limit of the product. The maximum weight limit must **NEVER** be exceeded
- Use by a client who is extremely active, either voluntarily or involuntarily



6.4 EXTENDING NOMINAL SERVICE LIFE

At Smirthwaite we are proud to produce products that have a reputation for quality and durability.

We believe our products have the potential to provide benefits to our clients beyond the nominal service life documented above.

We will continue to provide full support beyond the nominal service life provided the following conditions are met:

9. A full service schedule has been maintained. (Please refer to Page 14)
10. A full service and inspection is undertaken at the end of the nominal service life period
11. The product is subsequently serviced annually (or biannually if under 'heavy/constant' use conditions)
12. Smirthwaite reserve the right to limit support where parts/components are no longer available

6.5 DOCUMENTATION/RECORDS

- It is the responsibility of the current equipment owner to ensure the 'Instructions for Use' manual and any further manuals for accessories fitted to the equipment are handed over to the new owner at the time of exchange/sale
- It is the responsibility of the current equipment owner to ensure the service and inspection record form is kept up to date

6.6 PRODUCT CONFIGURATION

- Smirthwaite will document and maintain a record of the original product configuration at the time of first sale
- Smirthwaite will not be held responsible for any subsequent changes to this configuration unless authorized to do so in writing by Smirthwaite Ltd
- It is the equipment owner's responsibility to maintain their own records of changes to the equipment configuration and to be able to provide such records to subsequent owners to maintain traceability
- We recommend an inspection/service by a Smirthwaite Service Engineer (or Smirthwaite trained engineer) whenever a significant change is made to product configuration to ensure the product is safe to use. **If in any doubt, ALWAYS seek ADVICE**





IMPORTANT REMINDER!

DO NOT fit parts or accessories of other manufacturers to this product unless authorized to do so in writing by Smirthwaite Ltd.

Any servicing or repairs required must be carried out by Smirthwaite Ltd (or a Smirthwaite trained engineer).

If you believe this product to be faulty – DO NOT USE – Contact Smirthwaite Ltd on T: +44 (0) 1626 835552

If in any doubt, ALWAYS seek ADVICE.

7.0 WARRANTY & SERVICE

Smirthwaite Ltd warrants the products detailed on your order to be free from defects in materials and workmanship for a period of 2 years from date of delivery. If a fault develops during the period, please call Customer Services by email or telephone 01626 835552 who will advise you on the best course of action. Possible action may be for us to arrange to send out one of our Service Engineers, or have the goods returned to us. Should a repair not be possible within the guarantee period we will replace the product for new or nearest equivalent product. In the unlikely event that we cannot repair or exchange we will refund in full.

This warranty is for the UK only. The warranty excludes faults due to accident, neglect, misuse, not following the Instructions and normal wear and tear. This warranty is in addition to your legal rights. Goods will only be collected from the original delivery address.

A charge may be made where the goods cannot be repaired under the terms of the warranty. You will be advised before this is made.

T: +44 (0)1626 835552 E: info@smirthwaite.co.uk

8.0 CONTINUOUS IMPROVEMENT

Smirthwaite Ltd are committed to continuous improvement to their product range. Should you have any suggestions or comments please send them to our product design department at: info@smirthwaite.co.uk

Smirthwaite Ltd reserve the right to change the specification or material without prior notice.

For catalogues, help and further information on our products please contact us at:

Smirthwaite Ltd

16 Wentworth Road

Heathfield

Devon.TQ12 6TL

T: +44 (0) 1626 835552

F: +44 (0) 1626 835428

E: info@smirthwaite.co.uk

W: www.smirthwaite.co.uk



9.0 SERVICE INSPECTION

9.1 Product Information

Model:	
Size:	
Date of Manufacture:	
Serial Number:	
Final Inspection:	

9.2 Service & inspection record form:

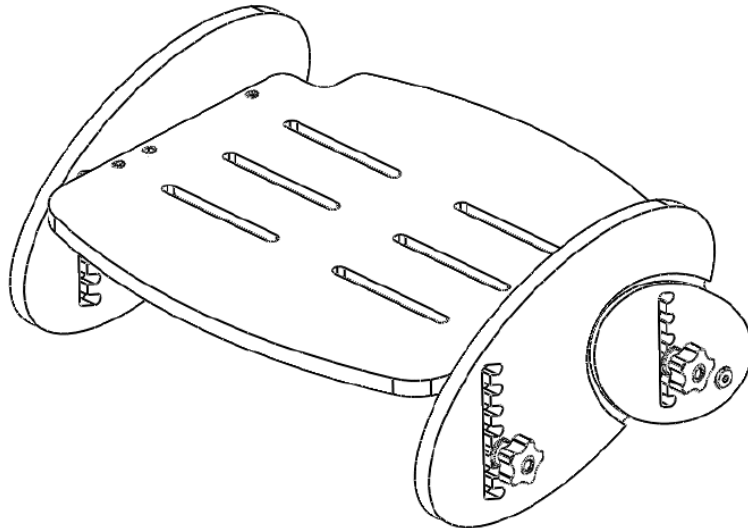
Date	Procedure	Service Personnel



4.Juni Adjustable Footrest

INSTRUCTIONS FOR USE

Codes FR051 – FR054




CONTENTS	PAGE
1.0 INTRODUCTION	49
2.0 ILLUSTRATION & TECHNICAL DATA	50
3.0 FOR YOUR SAFETY	51
4.0 UNPACKING AND ASSEMBLING YOUR JUNI ADJUSTABLE FOOTREST	52
5.0 SETTING UP AND ADJUSTING YOUR JUNI ADJUSTABLE FOOTREST	53
6.0 CARE & MAINTENANCE	54
7.0 WARRANTY & SERVICE	55
8.0 CONTINUOUS IMPROVEMENT	55
9.0 SERVICE INSPECTION	56

1.0 INTRODUCTION

Thank you for choosing the Smirthwaite Juni Adjustable Footrest.

The Juni Adjustable Footrest is a height and angle adjustable footrest that can be attached to your Juni chair, or left unattached to function as an independent footrest.

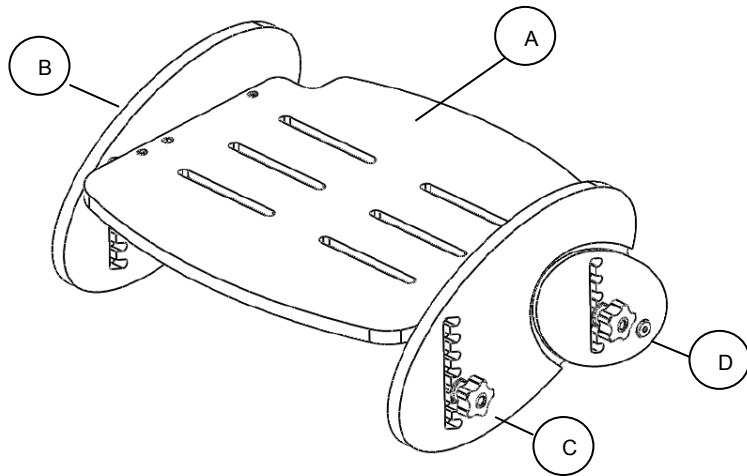
The side height has been designed specifically to ensure correct the child's feet are kept in the correct position.

	<p>IMPORTANT!</p> <p>These instructions should be read by all therapists and carers using the equipment and should be retained for future reference. The product should always be used under adult supervision.</p> <p>Any incorrect use of the product and failure to follow the instructions may put the user at risk or impede the function. If you have any queries using this product or wish for further copies, please do not hesitate to contact Customer Service department on T: +44 (0) 1626 835552.</p>
---	--



2.0 ILLUSTRATION OF YOUR JUNI ADJUSTABLE FOOTREST

- A. Foot plate
- B. Foot rest side
- C. Hand wheels for adjusting angle & height
- D. Fixing hole



2.1 PRODUCT CODES REFERENCE TABLE


Size/Colour	Natural Wood
1	FR051
2	FR052
3	FR053
4	FR054

2.2 TECHNICAL DATA

SIZE	1	2	3	4
Width (mm)	330	370	415	475
Depth (mm)	290	320	345	430
Foot plate height min (mm)	46	46	46	56
Foot plate height max (mm)	146	146	166	196
Adjustment increments (mm)	20	20	20	20




3.0 FOR YOUR SAFETY

	STOP!
	Please read these instructions CAREFULLY and THOROUGHLY.

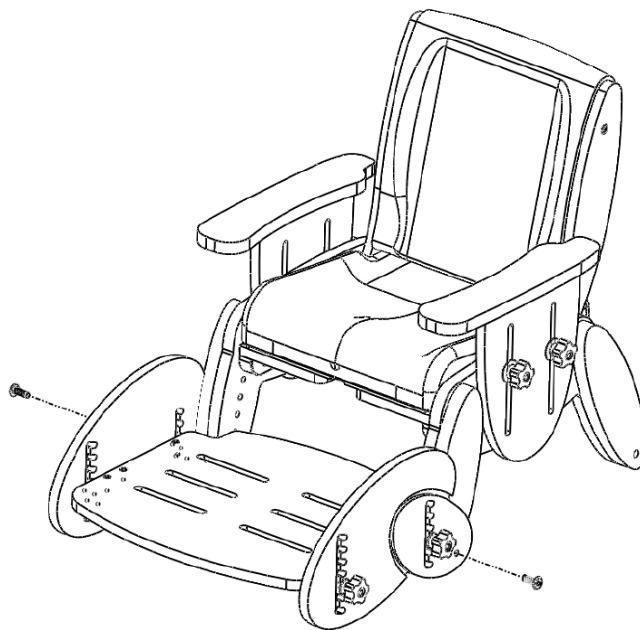
- The user should **NOT** be left unattended whilst in the product. Always ensure a responsible therapist or carer is in attendance.
- The carer should be familiar with the methods of adjustment and have completed all adjustments appropriately to meet the needs of the child before transferring the child onto the product.
- Regular maintenance checks and cleaning are essential for the safe use of this equipment (see care and maintenance section).
- Ensure that all nuts, bolts and hand wheels are securely tightened and that none are missing.
- This product is **ONLY** to be used indoors on a flat level surface.
- Always fasten the lap strap harness and any other straps provided with the matching Juni Chair.
- Always keep this product away from naked flames, cigarettes and sources of heat including open fireplaces, radiators and heaters.
- **DO NOT** fit parts or accessories of other manufacturers to this product unless authorized to do so in writing by Smirthwaite Ltd. Failure to follow these instructions will not only invalidate the guarantee but could make the product dangerous to use. Smirthwaite Ltd will not accept liability for any injury or damage incurred through such malpractices.
- Any repairs required must be carried out by Smirthwaite Ltd authorized personnel.
- If you believe the product or any fitted accessory to be faulty at any time, **DO NOT USE** – contact Smirthwaite by telephone on +44 (0) 1626 835552.




4.0 UNPACKING AND ASSEMBLING YOUR JUNI ADJUSTABLE FOOTREST

	STOP!
	<p>If in any doubt, ALWAYS seek ADVICE.</p> <p>Always turn hand wheels, levers and screws clockwise to tighten or anti-clockwise to loosen.</p>

- When delivered, the product will be supplied fully assembled or flat packed. Please refer to the Quick Set up Guide for assembly instructions if this product has been ordered flat packed.
- The footrest can be left unattached from the Juni chair to act as an independent footrest, or attached to the front legs of the Juni chair.
- To attach the footrest to the front legs of the Juni chair, simply align the footrest correctly to the front of the chair and insert the two M6 x 25 socket screws as shown below. A hex key is provided.




- Ensure all screws and hand wheels are tightened before use.

	STOP!
	<p>If you believe this product to be faulty – DO NOT USE – Contact Smirthwaite Ltd on T: +44 (0) 1626 835552</p>



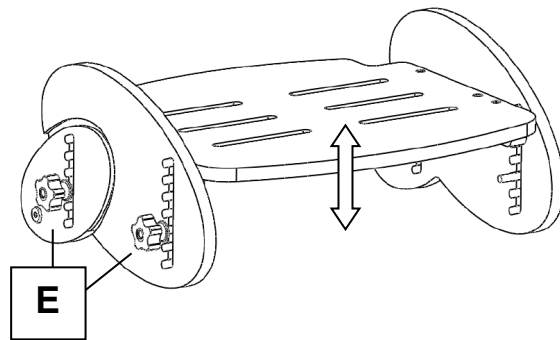
5.0 SETTING UP AND ADJUSTING YOUR JUNI ADJUSTABLE FOOTREST

	STOP!
	If in any doubt, ALWAYS seek ADVICE .
	Always turn hand wheels, levers and screws clockwise to tighten or anti-clockwise to loosen .

5.1 ADJUSTING YOUR JUNI ADJUSTABLE FOOTREST

5.1.1 FOOTREST HEIGHT

- The footrest top plate adjusts up and down within the safety slots provided at each end.
- Loosen the four hand wheels, two found at each end of the footrest (E).
- Select the most appropriate slot on each end of the footrest to set the desired height you wish to achieve.
- Re-tighten the hand wheels before use (E)



5.1.2 FOOTREST ANGLE


- To slope the footrest (change angle), set the front two hand wheels at a different position to the rear set of hand wheels.

5.1.3 FOOTREST SURFACE

- The use of non-slip Dycem on the top of the footrest will help prevent a child's feet from slipping if required.



6.0 CARE AND MAINTENANCE

	IMPORTANT!
	CLEANING IS RECOMMENDED ON A REGULAR BASIS

- Clean wooden and metal parts with a damp cloth and mild detergent.
- Stubborn marks on the woodwork should be cleaned using a soft brush.
- Do not soak or immerse the product in water.
- Store the product in a cool dry place and out of direct sunlight.
- DO NOT use bleach, solvents, abrasives, synthetic detergents, wax polishes, antibacterial sprays or wipes.
- For further information please refer to MHRA or your NHS cleaning guidelines.

6.1 DAILY CHECKS

- Check for signs of wear, tear or damage.
- Check for missing parts.
- Check that all screws are present and tighten correctly, and are not cross-threaded or damaged.
- Check all straps for fraying, and that buckles are not missing/damaged.

6.2 SERVICE INTERVAL

The Juni Adjustable Footrest should be serviced every 3 years. Servicing must only be undertaken by a Smirthwaite service engineer, or by a Smirthwaite trained representative.



7.0 WARRANTY & SERVICE

Smirthwaite warrants the products detailed on your order to be free from defects in materials and workmanship for a period of 2 years from date of delivery. If a fault develops during the period, please call Customer Services by email or telephone 01626 835552 who will advise you on the best course of action. Possible action may be for us to arrange to send out one of our Service Engineers, or have the goods returned to us. Should a repair not be possible within the guarantee period we will replace the product for new or nearest equivalent product. In the unlikely event that we cannot repair or exchange we will refund in full. This guarantee is for the UK only. The warranty excludes faults due to accident, neglect, misuse, not following the Instructions and normal wear and tear. This guarantee is in addition to your legal rights. Goods will only be collected from the original delivery address. A charge may be made where the goods cannot be repaired under the terms of the warranty. You will be advised before this is made.
T: +44 (0)1626 835552 E: info@smirthwaite.co.uk

8.0 CONTINUOUS IMPROVEMENT

Smirthwaite Ltd are committed to continuous improvement to their product range. Should you have any suggestions or comments please send them to our product design department at: info@smirthwaite.co.uk

Smirthwaite Ltd reserve the right to change the specification or material without prior notice.

For catalogues, help and further information on our products please contact us at:

Smirthwaite Ltd
16 Wentworth Road
Heathfield
Devon.TQ12 6TL

T: +44 (0) 1626 835552
F: +44 (0) 1626 835428

E: info@smirthwaite.co.uk
W: www.smirthwaite.co.uk



9.0 SERVICE INSPECTION

9.1 Product Information

Model:	
Size:	
Date of Manufacture:	
Serial Number:	
Final Inspection:	

9.2 Service & inspection record form:

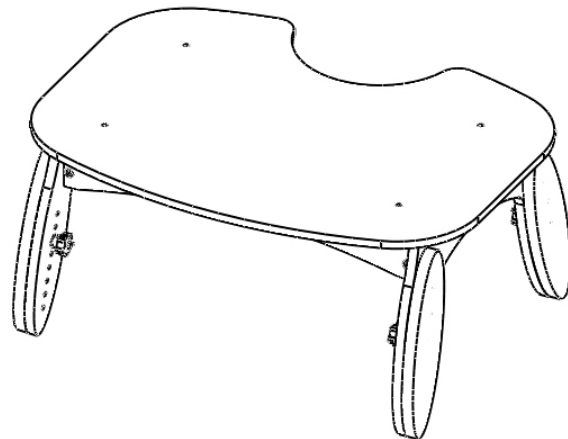
Date	Procedure	Service Personnel



5. JUNI TABLE

INSTRUCTIONS FOR USE

Codes 2411-2442



CONTENTS	PAGE
1.0 INTRODUCTION	58
2.0 ILLUSTRATION & TECHNICAL DATA	59
3.0 FOR YOUR SAFETY	59
4.0 UNPACKING YOUR JUNI TABLE	60
5.0 SETTING UP AND ADJUSTING YOUR JUNI TABLE	61
6.0 STORING YOUR JUNI TABLE	61
7.0 CARE AND MAINTENANCE	62
8.0 WARRANTY & SERVICE	65
9.0 CONTINUOUS IMPROVEMENT	65
10.0 SERVICE INSPECTION	66

1.0 INTRODUCTION

Thank you for choosing your new Juni Table.

Your Juni Table has been designed with simplicity and adjustability in mind, and is ideal for younger children at nursery, school and home. The table height can be simply adjusted to ensure good seating posture, and when not required the table can be folded to permit easy storage



IMPORTANT!

These instructions should be read by all therapists and carers using the equipment and should be retained for future reference. The product should always be used under adult supervision.

Any incorrect use of the product and failure to follow the instructions may put the user at risk or impede the function. If you have any queries using this product or wish for further copies, please do not hesitate to contact Customer Service department on

T: +44 (0) 1626 835552.

This product has been designed and manufactured specifically and solely for use by clients with special needs.

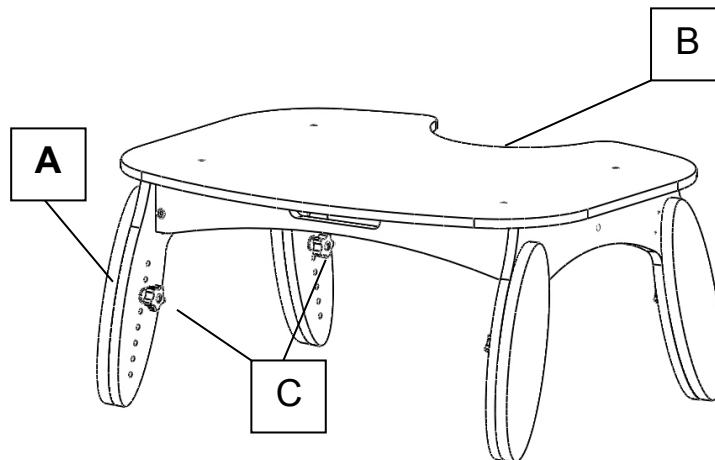


2.0 ILLUSTRATION OF YOUR JUNI TABLE

A: Leg outrigger (x 4)

B: Cut out

C: Hand wheels



2.1 TECHNICAL DATA

SIZE	1	2	COLOUR	CODE	
Width (mm)	700	780	Red Top	2411	2412
Depth (mm)	530	590	Lime Top	2421	2411
Height (mm)	310-450	400-600	Blue Top	2431	2432
			Natural Top	2441	2442

3.0 FOR YOUR SAFETY

	STOP!
	Please read these instructions CAREFULLY and THOROUGHLY.

- The user should NOT be left unattended whilst using the table. Always ensure a responsible adult or carer is in attendance
- The carer should be familiar with the methods of adjustment and have completed all adjustments appropriately to meet the needs of the child before use
- Regular maintenance checks and cleaning are essential for the safe use of this equipment (see care and maintenance section)
- If any part is loose, damaged or functioning incorrectly, do not use until rectified




- The Juni Table is intended for **indoor** use only
- Ensure that all nuts, bolts and handwheels are securely tightened and that none are missing
- Always keep this product away from naked flames, cigarettes and sources of heat including open fireplaces, radiators, heaters
- The table is **ONLY** to be used on a flat level surface
- **DO NOT** fit parts or accessories of other manufacturers to this product unless authorised to do so in writing by Smirthwaite Ltd. Failure to follow these instructions will not only invalidate the guarantee but could make the chair dangerous to use. Smirthwaite Ltd will not accept liability for any injury or damage incurred through such malpractices. Any repairs required must be carried out by Smirthwaite Ltd authorized personnel
- The Juni Table is CE marked. This certifies that it meets all relevant European safety requirements.

If you believe this product to be faulty **-DO NOT USE-**Contact Smirthwaite Ltd on T: +44 (0)1626 83552

4.0 UNPACKING YOUR JUNI TABLE

- The Juni Table is supplied fully assembled
- Please take note of any instructions on the packaging/box when unpacking.
- Once the table has been carefully unpacked, please check all parts.
- If any part is loose, damaged or functioning incorrectly, do not use until rectified.

Should you wish to query any aspect of your product, please contact Smirthwaite Customer Services on T: +44 (0)1626 835552 or info@smirthwaite.co.uk

	<p>STOP!</p> <p>If you believe this product to be faulty – DO NOT USE – Contact Smirthwaite Ltd on T: +44 (0) 1626 835552</p>
---	---

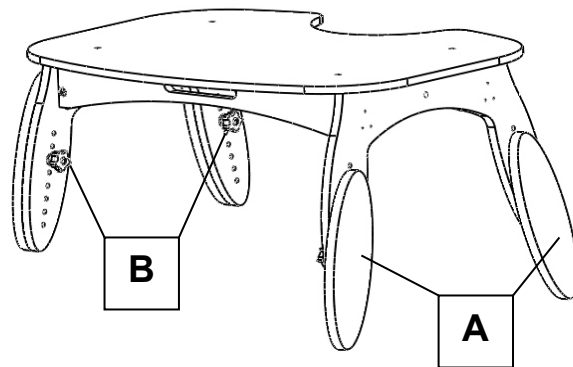


5.0 SETTING UP AND ADJUSTING YOUR JUNI TABLE

5.1 HEIGHT

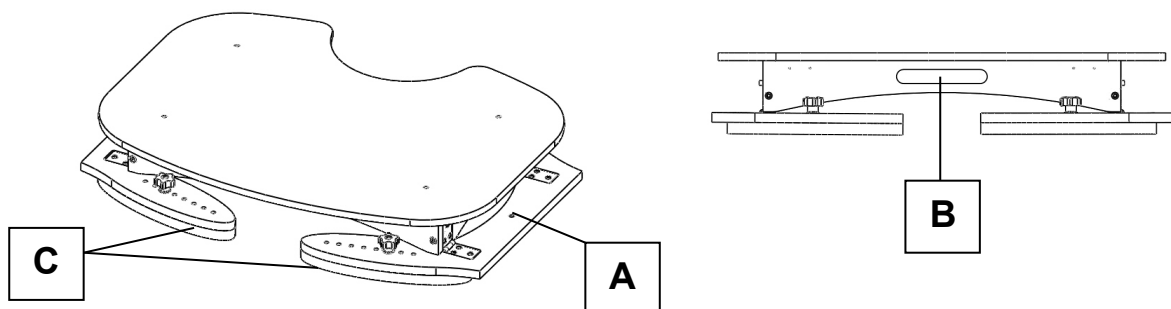
Your Juni Table is fitted with four Outrigger Legs (A) permitting table height adjustments.

For each Outrigger Leg, identify and remove the hand wheel (B) and position each leg to the desired height. Refit each hand wheel, ensuring it has been tightly fitted and that each leg is at the same height.

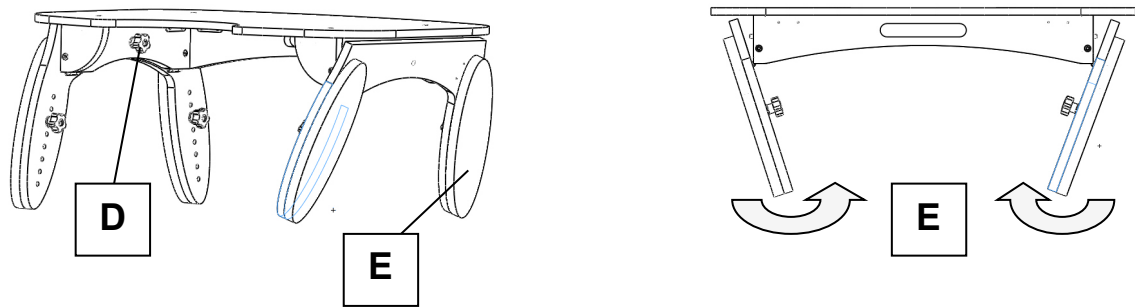


6.0 STORING YOUR JUNI TABLE

The Juni personal table is fitted with a mechanism for folding each pair of legs underneath the table top, as shown below (A). This permits stable stacking and easy storage. Additionally, the table has a carrying handle to ease transport (B). Please note the leg outriggers (C) must be fitted at their minimum setting to ensure flat storage.



To fold the table, firstly locate and remove the two handwheels situated on the underside of the table top (D). This will permit each leg pair to fold upwards (E). When leaving the table folded flat, it is recommended that the two handwheels (D) are wound back into their respective fixing sockets to prevent them becoming misplaced.



7.0 CARE AND MAINTENANCE

All our wooden products are easy to clean.



IMPORTANT!

CLEANING IS RECOMMENDED ON A REGULAR BASIS

- Clean wooden parts with a damp cloth and mild detergent.
- Stubborn marks on the woodwork should be cleaned by using a soft brush
- Do not soak or immerse the table in water.
- Store the table in a cool dry place out of direct sunlight.
- DO NOT use bleach, solvents, abrasives, synthetic detergents, wax polishes, antibacterial sprays or wipes.
- For further information please refer to MHRA or NHS cleaning guidelines



IMPORTANT!

REGULAR MAINTENANCE CHECKS ARE REQUIRED



7.1 DAILY CHECKS

- Check the product for damage or loose components.
- Check the structure of the product for signs of damage wear and tear.
- Keep all parts clean.

7.2 SERVICE INTERVAL

The Juni table should be serviced every 3 years. Servicing must only be undertaken by a Smirthwaite service engineer, or by a Smirthwaite trained representative.

7.3 NOMINAL SERVICE LIFE

Your product has a nominal service life of 12 years, during which full post-sales support will be available with regard to spares and servicing.

Product service life has been determined based upon the design complexity of product, and the anticipated exposure to normal use.

Good practice dictates all Smirthwaite products have been designed and manufactured to high levels of safety and quality, and will meet requirements of normal use when maintained in line with our servicing recommendations.



STOP!

If the product has been out of use for an extended period of time (6 months or more) it should always be serviced prior to being reissued.

If the product has been subjected to 'heavy' or 'constant' use, the service should be reduced to half the recommended period.

Constant and/or heavy use is considered to be:

- Daily use above 7 hours duration
- Weekly use above 5 days duration
- Monthly use above 10 months per year
- Use by a client who is at 90% to 100% of the maximum weight limit of the product. The maximum weight limit must **NEVER** be exceeded
- Use by a client who is extremely active, either voluntarily or involuntarily



7.4 EXTENDING NOMINAL SERVICE LIFE

At Smirthwaite we are proud to produce products that have a reputation for quality and durability.

We believe our products have the potential to provide benefits to our clients beyond the nominal service life documented above.

We will continue to provide full support beyond the nominal service life provided the following conditions are met:

13. A full service schedule has been maintained. (Please refer to Page 13)
14. A full service and inspection is undertaken at the end of the nominal service life period
15. The product is subsequently serviced annually (or biannually if under 'heavy/constant' use conditions)
16. Smirthwaite reserve the right to limit support where parts/components are no longer available

7.5 DOCUMENTATION/RECORDS

- It is the responsibility of the current equipment owner to ensure the 'Instructions for Use' manual and any further manuals for accessories fitted to the equipment are handed over to the new owner at the time of exchange/sale
- It is the responsibility of the current equipment owner to ensure the service and inspection record form is kept up to date

7.6 PRODUCT CONFIGURATION

- Smirthwaite will document and maintain a record of the original product configuration at the time of first sale
- Smirthwaite will not be held responsible for any subsequent changes to this configuration unless authorized to do so in writing by Smirthwaite Ltd
- It is the equipment owner's responsibility to maintain their own records of changes to the equipment configuration and to be able to provide such records to subsequent owners to maintain traceability
- We recommend an inspection/service by a Smirthwaite Service Engineer (or Smirthwaite trained engineer) whenever a significant change is made to product configuration to ensure the product is safe to use. **If in any doubt, ALWAYS seek ADVICE**





IMPORTANT REMINDER!

DO NOT fit parts or accessories of other manufacturers to this product unless authorized to do so in writing by Smirthwaite Ltd.

Any servicing or repairs required must be carried out by Smirthwaite Ltd (or a Smirthwaite trained engineer).

If you believe this product to be faulty – DO NOT USE – Contact Smirthwaite Ltd on T: +44 (0) 1626 835552

If in any doubt, ALWAYS seek ADVICE.

8.0 WARRANTY & SERVICE

Smirthwaite warrants the products detailed on your order to be free from defects in materials and workmanship for a period of 2 years from date of delivery. If a fault develops during the period, please call Customer Services by email or telephone 01626 835552 who will advise you on the best course of action. Possible action may be for us to arrange to send out one of our Service Engineers, or have the goods returned to us. Should a repair not be possible within the guarantee period we will replace the product for new or nearest equivalent product. In the unlikely event that we cannot repair or exchange we will refund in full. This guarantee is for the UK only. The warranty excludes faults due to accident, neglect, misuse, not following the Instructions and normal wear and tear. This guarantee is in addition to your legal rights. Goods will only be collected from the original delivery address. A charge may be made where the goods cannot be repaired under the terms of the warranty. You will be advised before this is made.

T: +44 (0)1626 835552 E: info@smirthwaite.co.uk

9.0 CONTINUOUS IMPROVEMENT

Smirthwaite Ltd are committed to continuous improvement to their product range. Should you have any suggestions or comments please send them to our product design department at: info@smirthwaite.co.uk

Smirthwaite Ltd reserve the right to change the specification or material without prior notice.

For catalogues, help and further information on our products please contact us at:
Smirthwaite Ltd

16 Wentworth Road

Heathfield

Devon.TQ12 6TL

T: +44 (0) 1626 835552

F: +44 (0) 1626 835428

E: info@smirthwaite.co.uk

W: www.smirthwaite.co.uk



10.0 SERVICE INSPECTION

10.1 Product Information

Model:	
Size:	
Date of Manufacture:	
Serial Number:	
Final Inspection	

10.2 Service & inspection record form:

Date	Procedure	Service Personnel





Smirthwaite, 16 Wentworth Road, Heathfield, Newton Abbot, Devon.TQ12 6TL
T: +44 (0) 1626 835552 F: +44 (0) 1626 835428 E: info@smirthwaite.co.uk www.smirthwaite.co.uk

