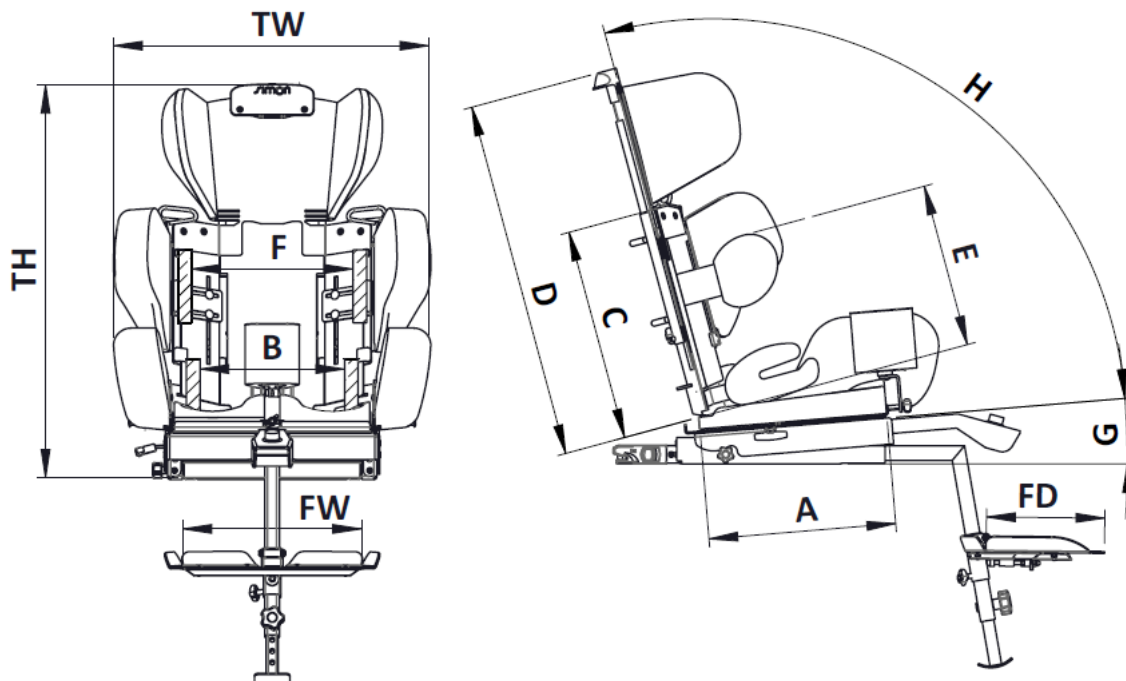


simon car seat

Paediatric



Dimension	Symbol	
Seat depth	A	27 – 37 cm
Seat width	B	18 - 28 cm
Back height	C	33 – 53 cm
Headrest height	D	55 – 75 cm
Lateral support height	E	22 – 33 cm
Distance of lateral support	F	15 – 29 cm
Seat angle (tilt)	G	0° - 10°
Back angle	H	90° - 115°
Total width	TW	54 – 62 cm
Total height	TH	63 – 77 cm
Footrest platform depth	FD	20 cm
Footrest platform width	FW	32 cm
Minimum user height		100 cm
Maximum user height		150 cm

Equipment:

- ISOFIX frame
- Tray
- Abduction block
- Lateral supports
- Headrest
- Footrest

Contact:

+44 (0)1626 835 552
 info@smirthwaite.co.uk
 16 Wentworth Road, Heathfield,
 Newton Abbot, Devon,
 TQ12 6TL